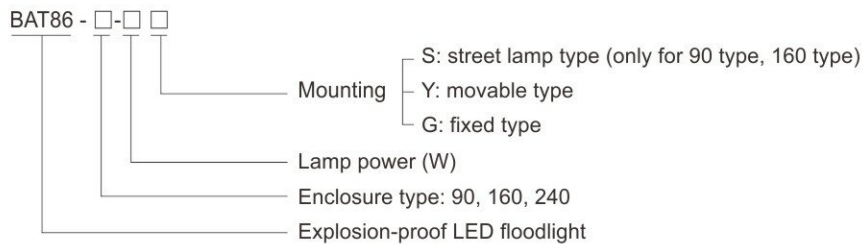


LED Light Fittings BAT86 Series Explosion-proof LED Floodlights



- ◆ Explosion protection to
 - CENELEC
 - IEC
 - NEC
- ◆ Can be used in
 - Zone 1 and Zone 2
 - Zone 21 and Zone 22
 - Class I, Zone 1 and Zone 2
 - Class I, Division 1, Groups B, C, D
- ◆ Three enclosure types: 90, 160, 240
- ◆ Applicable lamp and power (max.240W)
 - LED: 60W, 90W, 120W, 160W, 200W, 240W
- ◆ Isolated LED lamp compartment, CC-CV (constant current-constant voltage) power controller compartment and terminal compartment; Wind-convection heat dissipation structure.
- ◆ Standard product is of floodlight effect, lens of 60° and 90° can be provided on request to realize spotlight effect.
- ◆ Low-maintenance due to long service life is up to 100,000 operating hours.

Catalogue number logic



Selection table

Type / Ordering code	Lamp power(W)	Weight (kg)	Type / Ordering code	Lamp power(W)	Weight (kg)	Type / Ordering code	Lamp power(W)	Weight (kg)
BAT86-90-60G	60	6.70	BAT86-90-60Y	60	8.50	BAT86-90-60S	60	7.55
BAT86-90-90G	90	6.70	BAT86-90-90Y	90	8.50	BAT86-90-90S	90	7.55
BAT86-160-120G	120	13.00	BAT86-160-120Y	120	14.80	BAT86-160-120S	120	13.85
BAT86-160-160G	160	13.00	BAT86-160-160Y	160	14.80	BAT86-160-160S	160	13.85
BAT86-240-160G	160	27.00	BAT86-240-160Y	160	28.70			
BAT86-240-200G	200	28.00	BAT86-240-200Y	200	29.50			
BAT86-240-240G	240	28.00	BAT86-240-240Y	240	29.50			

Note: 1. The product is supplied according to "Type/Ordering code" in the table with mounting accessories.
2. The light fittings are supplied without lens. Lighting distribution is of floodlight. Lens of 60° and 90° can be provided on request. Please specify when ordering.

Zones 1&2; 21&22

LED Light Fittings

BAT86 Series Explosion-proof LED Floodlights

Technical data

Explosion-proof LED floodlights BAT86-90-□□

Explosion protection

Global (IECEX)

Gas and dust

Europe (ATEX)

Gas and dust

IECEX CQM 15.0033X

Ex db IIB+H₂ T□¹⁾ Gb

Ex tb IIIC T□¹⁾ Db IP65

EPT 15 ATEX 2300X

⊕ II 2 G Ex db IIB+H₂ T□¹⁾ Gb

⊕ II 2 D Ex tb IIIC T□¹⁾ Db IP65

¹⁾ See Ambient temperature

Certificates

Conformity to standards

IECEX; ATEX; CU-TR

EN 60079-0, EN 60079-1, EN 60079-31

IEC 60079-0, IEC 60079-1, IEC 60079-31

Material

Glass cover

LED driver

Exposed fastener

Lamp

Lamp specification

Lamp power (W)

Colour rendering index (Ra)

Colour temperature (CCT)

Copper-free Aluminium Alloy, powder coated surface, yellow (RAL1021)

Toughened glass, stands 4J impact

Wide voltage input, CC-CV (constant current - constant voltage) output, power factor ≥ 0.95, with function of distributed current, constant current, surge-proof and anti-electromagnetic interference, and protection against overcurrent, open circuit, and short circuit

Stainless steel

LED module, Multiple LED

60W, 90W (50W and 70W are optional)

≥ 70

5700K

Note: cool white is available in general. Warm white or nature white is optional, please specify when ordering.

100~300V AC 50/60Hz

M5 (internal & external earth bolts)

IP65

T6/T80°C for Tamb: -40°C~+40°C

T5/T95°C for Tamb: -40°C~+55°C

3 x 1.5~4mm² (L+N+PE)

Movable type, fixed type, street lamp type

2 x M25 x 1.5 plugs

DQM-II (Ex d) or DQM-III (Ex d) is recommended. Please see P7/20~31

Rated voltage

Earthing protection

Degree of protection

Ambient temperature

Terminal

Mounting

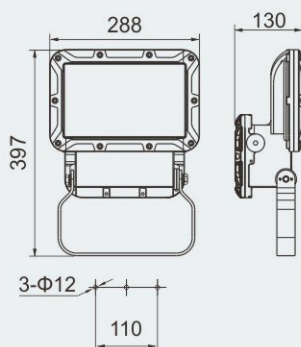
Cable entries

Cable gland

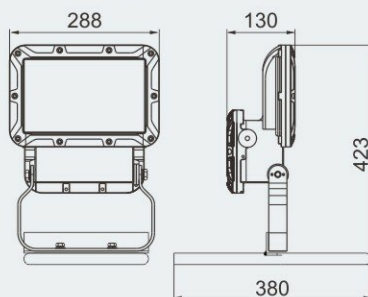


Dimension drawings (all dimensions in mm) - subject to alteration

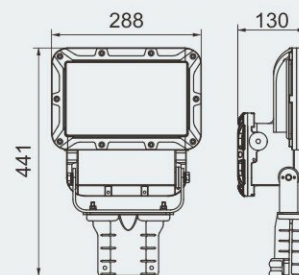
G: fixed type



Y: movable type



S: street lamp type



LED Light Fittings

BAT86 Series Explosion-proof LED Floodlights

Technical data

Explosion-proof LED floodlights BAT86-160-□□

Explosion protection

Global (IECEX)
Gas and dust

Europe (ATEX)
Gas and dust

IECEX CQM 14.0008X
Ex d IIB T□¹⁾ Gb
Ex tb IIIC T□¹⁾ Db IP66
LCIE 14 ATEX 3023X
⊕ II 2 G Ex d IIB T□¹⁾ Gb
⊕ II 2 D Ex tb IIIC T□¹⁾ Db IP66

¹⁾ See Ambient temperature

Certificates

Conformity to standards

IECEX; ATEX; CU-TR
EN 60079-0, EN 60079-1, EN 60079-31
IEC 60079-0, IEC 60079-1, IEC 60079-31

Material

Enclosure
Glass cover
LED driver

Copper-free Aluminium Alloy, powder coated surface, yellow (RAL1021)

Toughened glass, stands 4J impact

Wide voltage input, CC-CV (constant current - constant voltage) output, power factor ≥ 0.95 , with function of distributed current, constant current, surge-proof and anti-electromagnetic interference, and protection against overcurrent, open circuit, and short circuit

Exposed fastener

Stainless steel

Lamp

Lamp specification
Lamp power (W)
Colour rendering index (Ra)
Colour temperature (CCT)

LED module, Multiple LED
120W, 160W (100W is optional)
 ≥ 70
5700K

Note: cool white is available in general. Warm white or nature white is optional, please specify when ordering.

Rated voltage

100~300V AC 50/60Hz

Earthing protection

M5 (internal & external earth bolts)

Degree of protection

IP66, IP67(optional)

Ambient temperature

120W T6/T80°C for Tamb: -40°C~+40°C
160W T5/T95°C for Tamb: -40°C~+40°C
120W T5/T95°C for Tamb: -40°C~+55°C
160W T4/T130°C for Tamb: -40°C~+55°C

Terminal

3 x 1.5~4mm² (L+N+PE)

Mounting

Movable type, fixed type, street lamp type

Cable entries

2 x M25 x 1.5 plugs

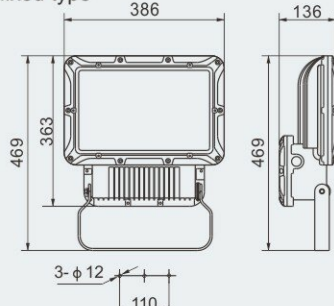
Cable gland

DQM-II (Ex d) or DQM-III (Ex d) is recommended. Please see P7/20~31

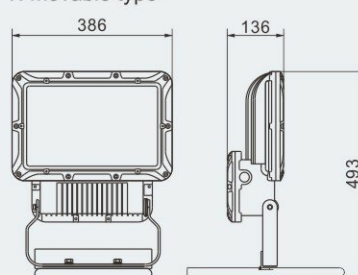


Dimension drawings (all dimensions in mm) - subject to alteration

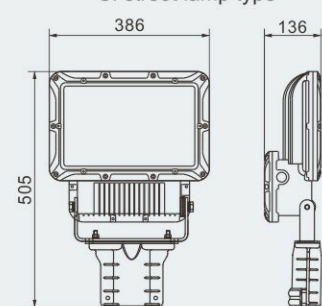
G: fixed type



Y: movable type



S: street lamp type



LED Light Fittings

BAT86 Series Explosion-proof LED Floodlights

Technical data

Explosion-proof LED floodlights BAT86-240-□□

Explosion protection

Global (IECEX)

IECEX CML 18.0042X

Gas and dust

Ex db op is IIB+H₂ T□¹⁾ Gb

Ex tb op is IIIC T□¹⁾ Db IP66

Europe (ATEX)

CML 18 ATEX 1060X

Gas and dust

Ⓔ II 2 G Ex db op is IIB+H₂ T□¹⁾ Gb

Ⓔ II 2 D Ex tb op is IIIC T□¹⁾ Db IP66

¹⁾ See Ambient temperature

Certificates

IECEX; ATEX; CU-TR

Conformity to standards

EN 60079-0, EN 60079-1, EN 60079-28, EN 60079-31

IEC 60079-0, IEC 60079-1, IEC 60079-28, IEC 60079-31

Material

Enclosure

Copper-free Aluminium Alloy, powder coated surface, yellow (RAL1021)

Glass cover

Toughened glass, stands 4J impact

LED driver

Wide voltage input, CC-CV (constant current - constant voltage) output, power factor ≥ 0.95, with function of distributed current, constant current, surge-proof and anti-electromagnetic interference, and protection against overcurrent, open circuit, and short circuit

Exposed fastener

Stainless steel

Lamp

Lamp specification

LED module, Multiple LED

Lamp power (W)

160W, 200W, 240W

Colour rendering index (Ra)

≥ 80

Colour temperature (CCT)

5700K

Note: cool white is available in general. Warm white or nature white is optional, please specify when ordering.

Rated voltage

100~277V AC 50/60Hz, 130~250V DC

Earthing protection

M5 (internal & external earth bolts)

Degree of protection

IP66, IP67 (optional)

Ambient temperature

160W T6/T80°C for Tamb: -40°C~+55°C

200W/240W T5/T95°C for Tamb: -40°C~+55°C

200W/240W T6/T80°C for Tamb: -40°C~+40°C

Terminal

3 x 1.5~4mm² (L+N+PE)

Mounting

Movable type, fixed type

Cable entries

2 x M25 x 1.5 plugs

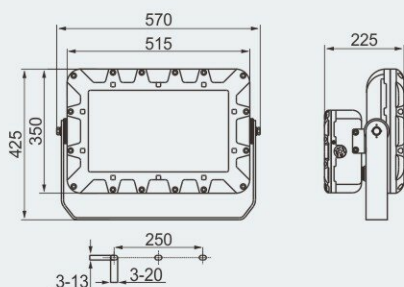
Cable gland

DQM-II (Ex d) or DQM-III (Ex d) is recommended. Please see P7/20~31

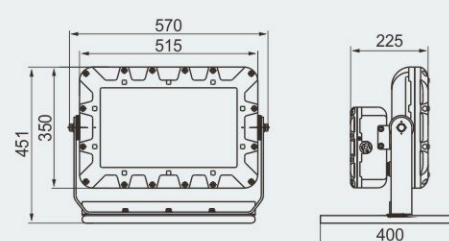


Dimension drawings (all dimensions in mm) - subject to alteration

G: fixed type



Y: movable type

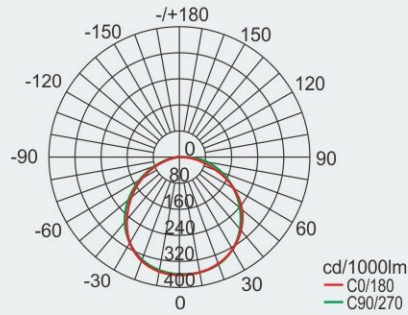


LED Light Fittings BAT86 Series Explosion-proof LED Floodlights

Photometric data Note: LED luminous flux is from the standard product of which colour temperature is 5700K (cool white).

BAT86-90-□□

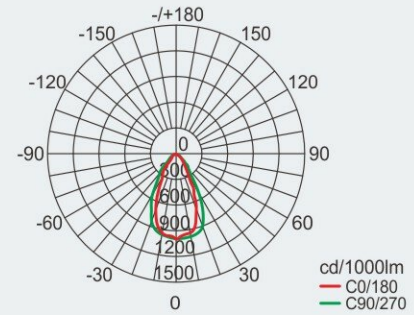
Lamp power (W)	Luminous flux	Wattage	Luminous efficacy
60	6100lm	60W	101lm/W
90	9200lm	91W	101lm/W



BAT86-90-□□

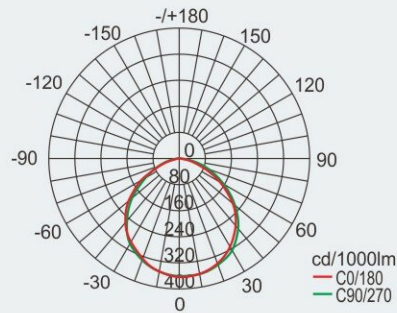
Lamp power (W)	Luminous flux	Wattage	Luminous efficacy
60	6100lm	60W	101lm/W
90	9200lm	91W	101lm/W

Note: Lens of 40° and 25° can be provided on request.



BAT86-160-□□

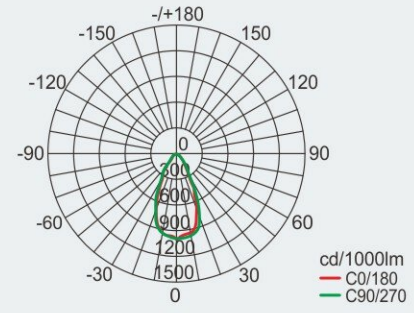
Lamp power (W)	Luminous flux	Wattage	Luminous efficacy
120	13791lm	120W	115lm/W
160	18556lm	160W	116lm/W



BAT86-160-□□

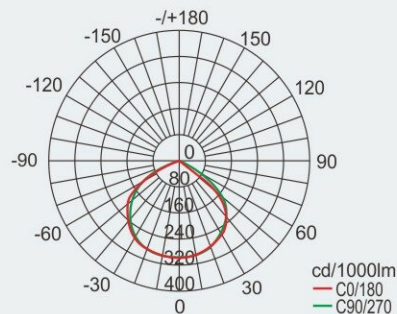
Lamp power (W)	Luminous flux	Wattage	Luminous efficacy
120	13791lm	120W	115lm/W
160	18556lm	160W	116lm/W

Note: Lens of 40° and 25° can be provided on request.



BAT86-240-□□

Lamp power (W)	Luminous flux	Wattage	Luminous efficacy
160	18556lm	160W	116lm/W
200	25217lm	203W	124lm/W
240	29418lm	243W	121lm/W



BAT86-240-□□

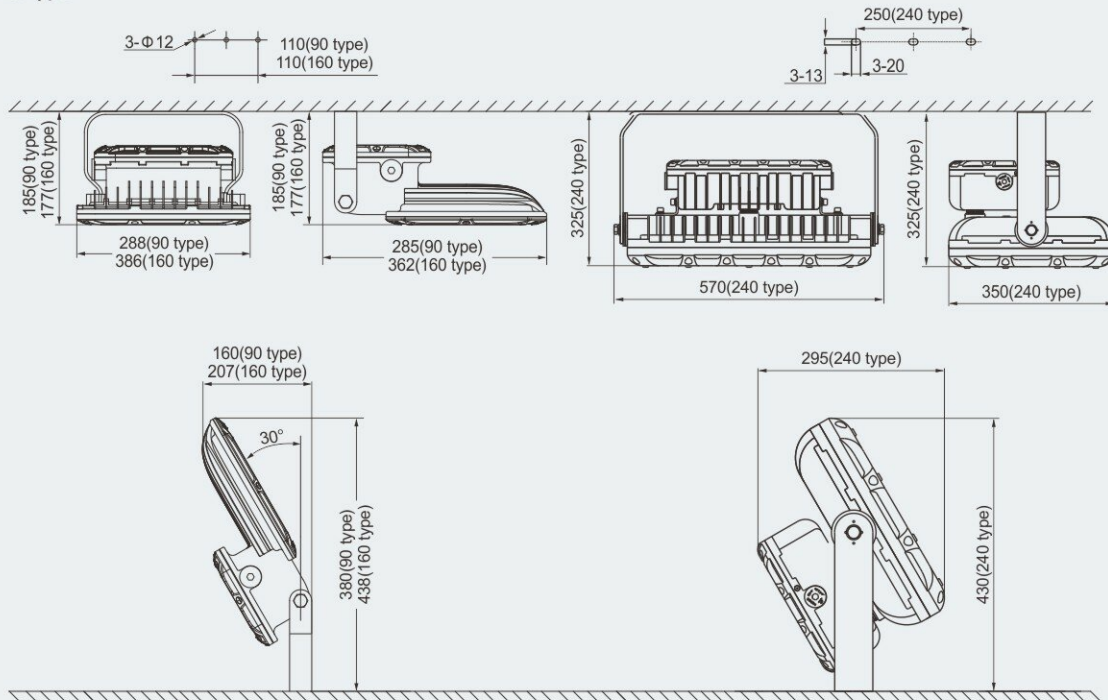
Lamp power (W)	Luminous flux	Wattage	Luminous efficacy
160	18556lm	160W	116lm/W
200	25217lm	203W	124lm/W
240	29418lm	243W	121lm/W

We can provide lighting design and data by professional lighting software DIALUX based upon simulated site situation on request.

LED Light Fittings BAT86 Series Explosion-proof LED Floodlights

Mounting type (all dimensions in mm) - subject to alteration

bracket type



street lamp type

