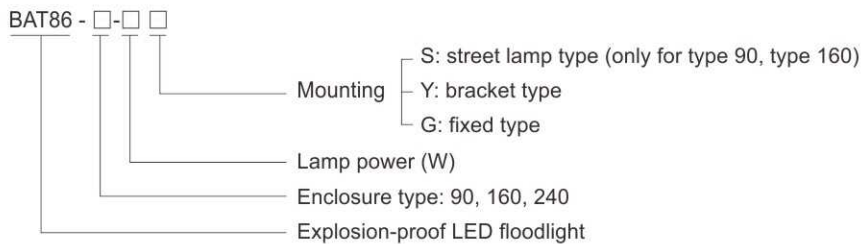




- ◆ Explosion protection to
 - CENELEC
 - IEC
 - NEC
- ◆ Can be used in
 - Zone 1 and Zone 2
 - Zone 21 and Zone 22
 - Class I, Zone 1 and Zone 2
 - Class I, Division 1, Groups B, C, D
- ◆ Three enclosure types: 90, 160, 240
- ◆ Applicable lamp and power (max.240W)
 - LED: 60W, 90W, 120W, 160W, 200W, 240W
- ◆ Isolated LED lamp compartment, CC-CV (constant current-constant voltage) power controller compartment and terminal compartment; Wind-convection heat dissipation structure.
- ◆ Standard product is of floodlight effect, lens of 60° and 90° can be provided on request to realize spotlight effect.
- ◆ Low-maintenance due to long service life is up to 100,000 operating hours.

Catalogue number logic



Selection table

Type / Ordering code	Lamp power(W)	Weight (kg)	Type / Ordering code	Lamp power(W)	Weight (kg)	Type / Ordering code	Lamp power(W)	Weight (kg)
BAT86-90-60G	60	6.70	BAT86-90-60Y	60	8.50	BAT86-90-60S	60	7.55
BAT86-90-90G	90	6.70	BAT86-90-90Y	90	8.50	BAT86-90-90S	90	7.55
BAT86-160-120G	120	13.00	BAT86-160-120Y	120	14.80	BAT86-160-120S	120	13.85
BAT86-160-160G	160	13.00	BAT86-160-160Y	160	14.80	BAT86-160-160S	160	13.85
BAT86-240-200G	200	28.00	BAT86-240-200Y	200	29.50			
BAT86-240-240G	240	28.00	BAT86-240-240Y	240	29.50			

Note: 1. The product is supplied according to "Type/Ordering code" in the table with mounting accessories.
2. The light fittings are supplied without lens. Lighting distribution is of floodlight. Lens of 60° and 90° can be provided on request. Please specify when ordering.

Zones 1&2; 21&22

LED Light Fittings

BAT86 Series Explosion-proof LED Floodlights

Technical data

Explosion-proof LED floodlights BAT86-90-□□

Explosion protection

Global (IECEX)

Gas and dust

Europe (ATEX)

Gas and dust

IECEX CQM 21.0015X

Ex db IIB+H₂ T□¹⁾ Gb

Ex tb IIIC T□¹⁾ Db

TÜV CY 21 ATEX 0206545X

⊕ II 2 G Ex db IIB+H₂ T□¹⁾ Gb

⊕ II 2 D Ex tb IIIC T□¹⁾ Db

¹⁾ See Ambient temperature

Certificates

Conformity to standards

IECEX; ATEX; CU-TR

EN IEC 60079-0, EN 60079-1, EN 60079-31

IEC 60079-0, IEC 60079-1, IEC 60079-31

Material

Glass cover

LED driver

Copper-free Aluminium Alloy, powder coated surface, yellow (RAL1021)

Toughened glass, stands 4J impact

Wide voltage input, CC-CV (constant current - constant voltage) output, power factor ≥ 0.95, with function of distributed current, constant current, surge-proof and anti-electromagnetic interference, and protection against overcurrent, open circuit, and short circuit

Exposed fastener

Stainless steel

Lamp

Lamp specification

Lamp power (W)

Colour rendering index (Ra)

Colour temperature (CCT)

LED module, Multiple LED

60W, 90W (50W and 70W are optional)

≥ 70

5700K

Note: cool white is available in general. Warm white or nature white is optional, please specify when ordering.

Rated voltage

Earthing protection

Degree of protection

Ambient temperature

100~277V AC 50/60Hz, 130~250V DC

M5 (internal & external earth bolts)

IP66

T6/T80°C for Tamb: -60°C~+40°C

T4/T130°C for Tamb: -60°C~+60°C

3 x 1.5~4mm² (L+N+PE)

Terminal

Mounting

Cable entries

Cable gland

Bracket type, fixed type, street lamp type

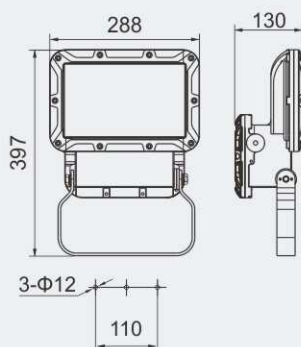
2 x M25 x 1.5 plugs

DQM-II (Ex d) or DQM-III (Ex d) is recommended. Please see P7/20~29

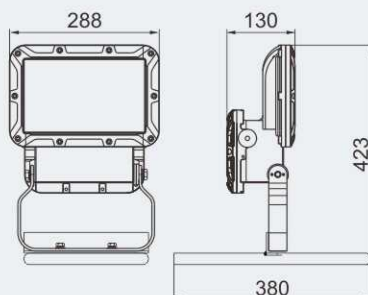


Dimension drawings (all dimensions in mm) - subject to alteration

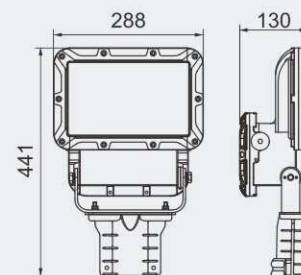
G: fixed type



Y: bracket type



S: street lamp type



Technical data

Explosion-proof LED floodlights BAT86-160-□□

Explosion protection

Global (IECEX)
 Gas and dust

IECEX CQM 21.0015X

Ex d IIB T□¹⁾ Gb

Ex tb IIIC T□¹⁾ Db

Europe (ATEX)
 Gas and dust

TÜV CY 21 ATEX 0206545X

⊕ II 2 G Ex d IIB T□¹⁾ Gb

⊕ II 2 D Ex tb IIIC T□¹⁾ Db

¹⁾ See Ambient temperature

Certificates

IECEX; ATEX; CU-TR

Conformity to standards

EN IEC 60079-0, EN 60079-1, EN 60079-31

IEC 60079-0, IEC 60079-1, IEC 60079-31

Material

Enclosure
 Glass cover
 LED driver

Copper-free Aluminium Alloy, powder coated surface, yellow (RAL1021)

Toughened glass, stands 4J impact

Wide voltage input, CC-CV (constant current - constant voltage) output, power factor ≥ 0.95 , with function of distributed current, constant current, surge-proof and anti-electromagnetic interference, and protection against overcurrent, open circuit, and short circuit

Exposed fastener

Stainless steel

Lamp

Lamp specification
 Lamp power (W)
 Colour rendering index (Ra)
 Colour temperature (CCT)

LED module, Multiple LED

120W, 160W (100W is optional)

≥ 70

5700K

Note: cool white is available in general. Warm white or nature white is optional, please specify when ordering.

Rated voltage

100~277V AC 50/60Hz, 130~250V DC

Earthing protection

M5 (internal & external earth bolts)

Degree of protection

IP66

Ambient temperature

120W/160W T6/T80°C for Tamb: -60°C~+40°C

120W/160W T5/T95°C for Tamb: -60°C~+60°C

Terminal

3 x 1.5~4mm² (L+N+PE)

Mounting

Bracket type, fixed type, street lamp type

Cable entries

2 x M25 x 1.5 plugs

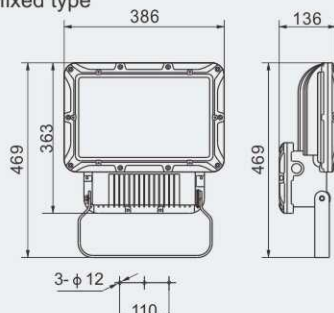
Cable gland

DQM-II (Ex d) or DQM-III (Ex d) is recommended. Please see P7/20~29

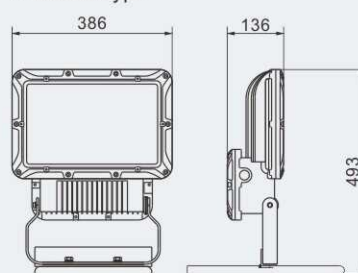


Dimension drawings (all dimensions in mm) - subject to alteration

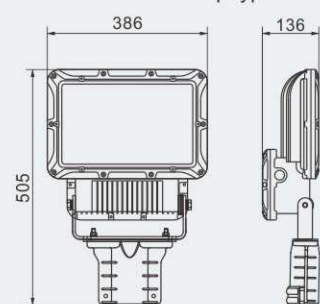
G: fixed type



Y: bracket type



S: street lamp type



LED Light Fittings

BAT86 Series Explosion-proof LED Floodlights

Technical data

Explosion-proof LED floodlights BAT86-240-□□

Explosion protection

Global (IECEX)	IECEX CQM 21.0015X
Gas and dust	Ex db IIB+H ₂ T□ ¹⁾ Gb Ex tb IIIC T□ ¹⁾ Db
Europe (ATEX)	TÜV CY 21 ATEX 0206545X
Gas and dust	⊕ II 2 G Ex db IIB+H ₂ T□ ¹⁾ Gb ⊕ II 2 D Ex tb IIIC T□ ¹⁾ Db

¹⁾ See Ambient temperature

Certificates

IECEX; ATEX; CU-TR

Conformity to standards

EN IEC 60079-0, EN 60079-1, EN 60079-28, EN 60079-31
IEC 60079-0, IEC 60079-1, IEC 60079-28, IEC 60079-31

Material

Enclosure	Copper-free Aluminium Alloy, powder coated surface, yellow (RAL1021)
Glass cover	Toughened glass, stands 4J impact
LED driver	Wide voltage input, CC-CV (constant current - constant voltage) output, power factor ≥ 0.95 , with function of distributed current, constant current, surge-proof and anti-electromagnetic interference, and protection against overcurrent, open circuit, and short circuit
Exposed fastener	Stainless steel

Lamp

Lamp specification	LED module, Multiple LED
Lamp power (W)	200W, 240W
Colour rendering index (Ra)	≥ 80
Colour temperature (CCT)	5700K

Note: cool white is available in general. Warm white or nature white is optional, please specify when ordering.

Rated voltage

100~277V AC 50/60Hz, 130~250V DC

Earthing protection

M5 (internal & external earth bolts)

Degree of protection

IP66

Ambient temperature

200W/240W T6/T80°C for Tamb: -60°C~+40°C
200W/240W T4/T130°C for Tamb: -60°C~+60°C

Terminal

3 x 1.5~4mm² (L+N+PE)

Mounting

Bracket type, fixed type

Cable entries

2 x M25 x 1.5 plugs

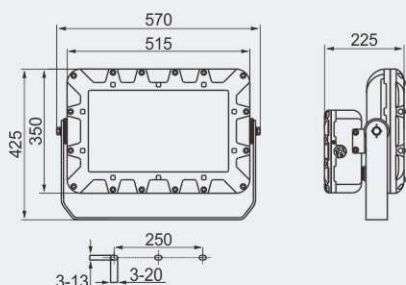
Cable gland

DQM-II (Ex d) or DQM-III (Ex d) is recommended. Please see P7/20~29

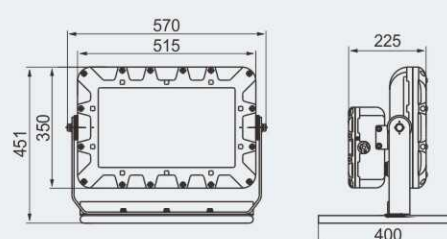


Dimension drawings (all dimensions in mm) - subject to alteration

G: fixed type



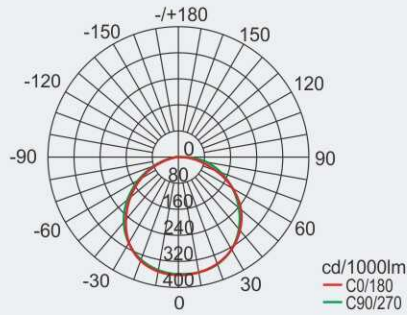
Y: bracket type



Photometric data Note: LED luminous flux is from the standard product of which colour temperature is 5700K (cool white).

BAT86-90-□□

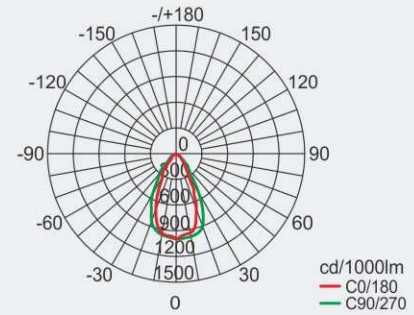
Lamp power (W)	Luminous flux	Wattage
60	6500lm	60W
90	9550lm	91W



BAT86-90-□□

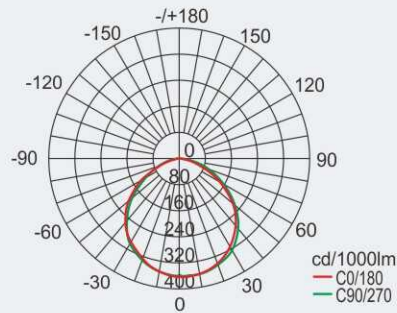
Lamp power (W)	Luminous flux	Wattage
60	6500lm	60W
90	9550lm	91W

Note: Lens of 40° and 25° can be provided on request.



BAT86-160-□□

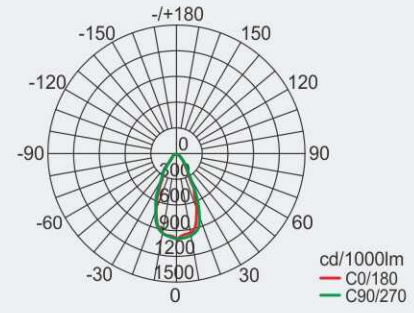
Lamp power (W)	Luminous flux	Wattage
120	14400lm	120W
160	19800lm	160W



BAT86-160-□□

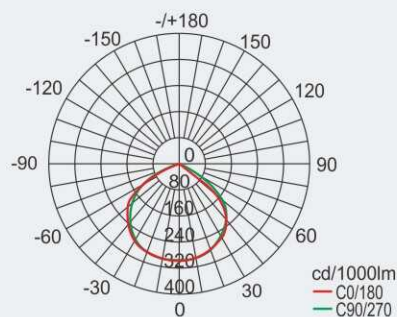
Lamp power (W)	Luminous flux	Wattage
120	14400lm	120W
160	19800lm	160W

Note: Lens of 40° and 25° can be provided on request.



BAT86-240-□□

Lamp power (W)	Luminous flux	Wattage
200	23600lm	205W
240	28400lm	245W

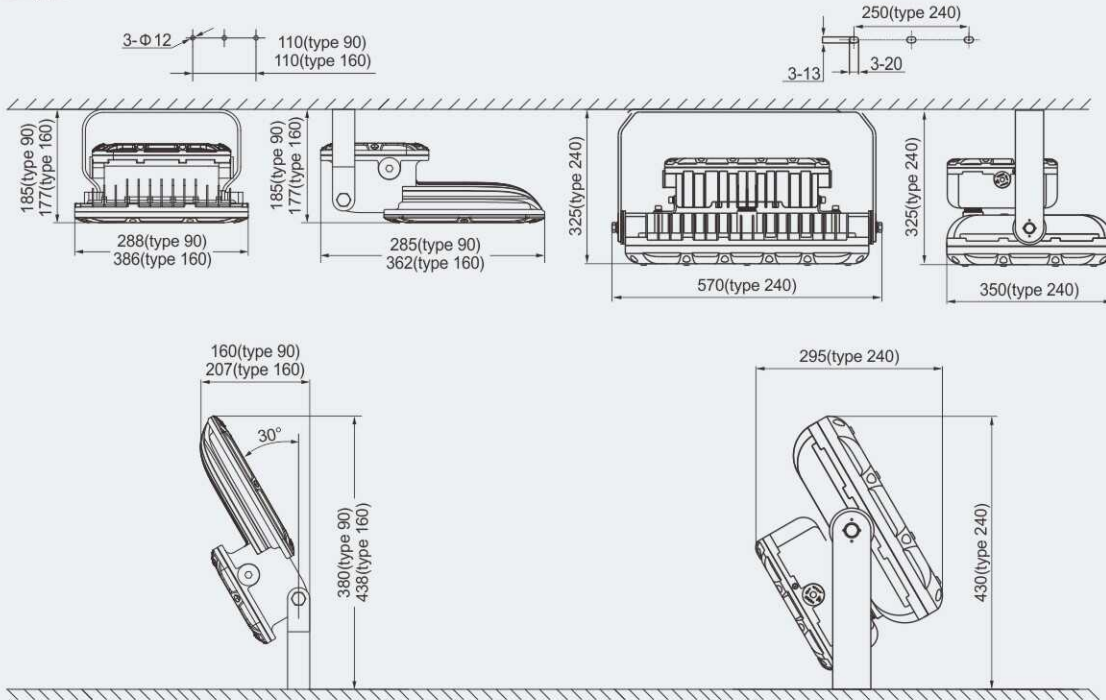


We can provide lighting design and data by professional lighting software DIALUX based upon simulated site situation on request.

LED Light Fittings BAT86 Series Explosion-proof LED Floodlights

Mounting type (all dimensions in mm) - subject to alteration

bracket type



street lamp type

