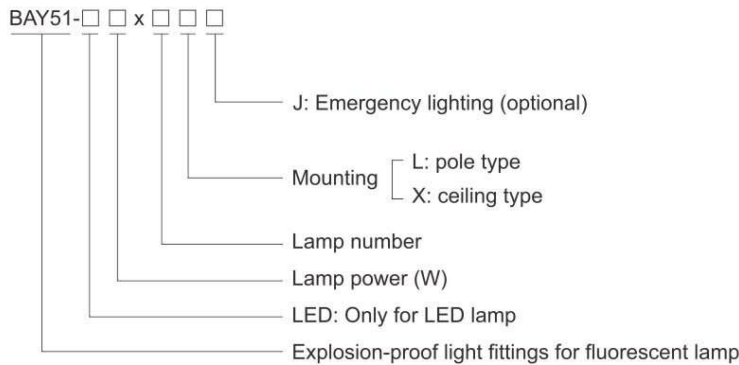


## Light Fittings for Fluorescent Lamp BAY51 Series Explosion-proof Light Fittings for Fluorescent Lamp



- ◆ Explosion protection to
  - CENELEC
  - IEC
  - NEC
- ◆ Can be used in
  - Zone 1 and Zone 2
  - Zone 21 and Zone 22
  - Class I, Zone 1 and Zone 2
  - Class I, Division 1, Groups A, B, C, D
- ◆ Single or dual lamp versions
- ◆ Available lamp and power
  - Fluorescent lamps: 18W x 1, 36W x 1, 58W x 1, 18W x 2, 36W x 2, 58W x 2.
  - LED lamps: 9W x 1, 9W x 2, 18W x 1, 18W x 2, 28W x 1, 28W x 2.
- ◆ The glass tube stands 4J impact.
- ◆ Enclosure in Copper-free Aluminium Alloy, powder coated surface, yellow (RAL1021).
- ◆ Built-in electronic ballast, wide voltage input, rapid starting, stable performance, power factor $\geq$ 0.95.
- ◆ Built-in LED driver, wide voltage input, CC-CV (constant current - constant voltage) output, power factor $\geq$ 0.95.
- ◆ End of lamp life (EOL) rectification effect protection.

### Catalogue number logic



Zones 1&2; 21&22

supplied by...

**inatex.**  
www.inatex.com

General Catalogue 01.01.2022

[http:// www.waromgroup.com](http://www.waromgroup.com)

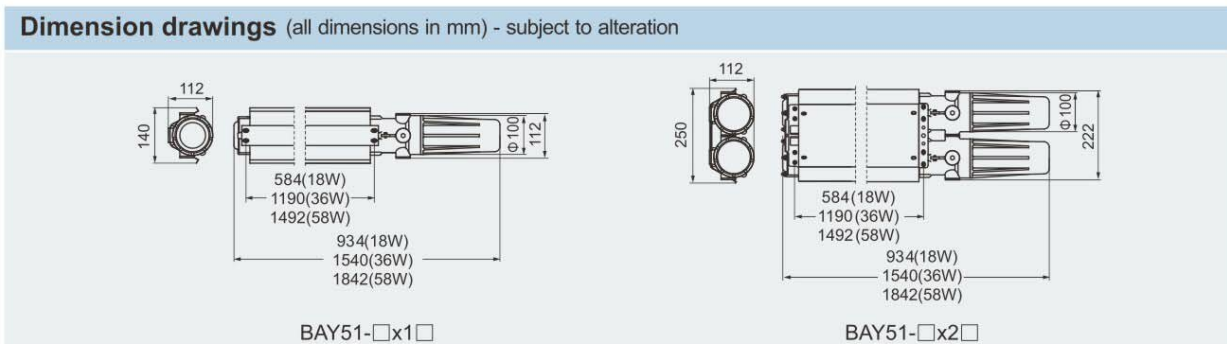
## Light Fittings for Fluorescent Lamp BAY51 Series Explosion-proof Light Fittings for Fluorescent Lamp

Technical data	
<b>Explosion-proof light fittings for fluorescent lamp BAY51-□ × □□</b>	
<b>Explosion protection</b>	
Global (IECEX)	IECEX CQM 12.0042X
Gas and dust	Ex d IIC T6 Gb
Europe (ATEX)	Ex t IIIC T80°C Db IP66
Gas	LCIE 09 ATEX 3046
	⊕ II 2 G Ex d IIC T6 Gb
	⊕ II 2 D Ex tb IIIC T80°C Db IP66
<b>Certificates</b>	IECEX; ATEX; CU-TR
<b>Conformity to standards</b>	EN 60079-0, EN 60079-1, EN 60079-31 IEC 60079-0, IEC 60079-1, IEC 60079-31
<b>Material</b>	
Enclosure	Copper-free Aluminium Alloy, powder coated surface, yellow (RAL1021)
Glass tube	Toughened glass, stands 4J impact
Ballast	Electronic ballast
Wire guard (optional)	Powder coated carbon steel (white) or stainless steel
External reflector	Powder coated pure aluminium
Exposed fastener	Stainless steel
<b>Lamp</b>	
Lamp specification	T8 tube (supplied with the light fittings)
Lamp power (W)	18W x 1    18W x 2 36W x 1    36W x 2 58W x 1    58W x 2
<b>Rated voltage</b>	100~300V AC 50/60Hz
<b>Earthing protection</b>	M5 (internal & external earth bolts)
<b>Degree of protection</b>	IP66, IP67 (optional)
<b>Ambient temperature</b>	-20°C~+55°C
<b>Terminal</b>	3 x 1.5~4mm <sup>2</sup> (L+N+PE)
<b>Cable entries</b>	
Single lamp	2 x M25 x 1.5 plugs
Dual lamp	2 x M25 x 1.5 plugs
<b>Cable gland (optional)</b>	DQM-II (Ex d) or DQM-III (Ex d) is recommended. Please see P7/20~29



Selection table					
Type / Ordering code	Lamp power(W)	Weight(kg)	Type / Ordering code	Lamp power(W)	Weight(kg)
BAY51-18 x 1X	18 x 1	5.60	BAY51-18 x 2X	18 x 2	10.60
BAY51-18 x 1L	18 x 1	6.50	BAY51-18 x 2L	18 x 2	11.55
BAY51-36 x 1X	36 x 1	8.80	BAY51-36 x 2X	36 x 2	16.30
BAY51-36 x 1L	36 x 1	9.30	BAY51-36 x 2L	36 x 2	16.85
BAY51-58 x 1X	58 x 1	10.40	BAY51-58 x 2X	58 x 2	18.30
BAY51-58 x 1L	58 x 1	10.85	BAY51-58 x 2L	58 x 2	19.20

**Note:** Products above include all the mounting accessories listed in Mounting Accessories & Spare Parts Table (see P2/21~22).



supplied by...

## Light Fittings for Fluorescent Lamp

### BAY51 Series Explosion-proof Light Fittings for Fluorescent Lamp

#### Technical data

#### Explosion-proof emergency light fittings for fluorescent lamp BAY51-□ × □□J

##### Explosion protection

Global (IECEX)

IECEX CQM 13.0004X

Gas and dust

Ex d IIC T6 Gb

Ex tb IIIC T80°C Db IP66

Europe (ATEX)

LCIE 13 ATEX 3003X

Gas and dust

⊕ II 2 G Ex d IIC T6 Gb

⊕ II 2 D Ex tb IIIC T80°C Db IP66

##### Certificates

IECEX; ATEX; CU-TR

##### Conformity to standards

EN 60079-0, EN 60079-1, EN 60079-31

IEC 60079-0, IEC 60079-1, IEC 60079-31

##### Material

Enclosure

Copper-free Aluminium Alloy, powder coated surface, yellow (RAL1021)

Glass tube

Toughened glass, stands 4J impact

Emergency unit

Special emergency controller and battery pack, with protection against over-charge and overdischarge

Ballast

Electronic ballast

Wire guard (optional)

Powder coated carbon steel (white) or stainless steel

External reflector

Powder coated pure aluminium

Exposed fastener

Stainless steel

##### Lamp

Lamp specification

T8 tube (supplied with the light fittings)

Lamp power (W)

18W x 2, 36W x 2, 58W x 2

Emergency power (W)

18W x 30%, 36W x 30%, 58W x 30%

##### Emergency starting time

0.3s

##### Charging time

24h

##### Emergency lighting time

120min (180min is optional)

##### Rated voltage

100~300V AC 50/60Hz

##### Earthing protection

M5 (internal & external earth bolts)

##### Degree of protection

IP66, IP67(optional)

##### Ambient temperature

-20°C~+55°C

##### Terminal

3 x 1.5~4mm<sup>2</sup> (L+N+PE)

##### Cable entries

4 x M25 x 1.5 plugs

##### Cable gland (optional)

DQM-II (Ex d) or DQM-III (Ex d) is recommended. Please see P7/20~29

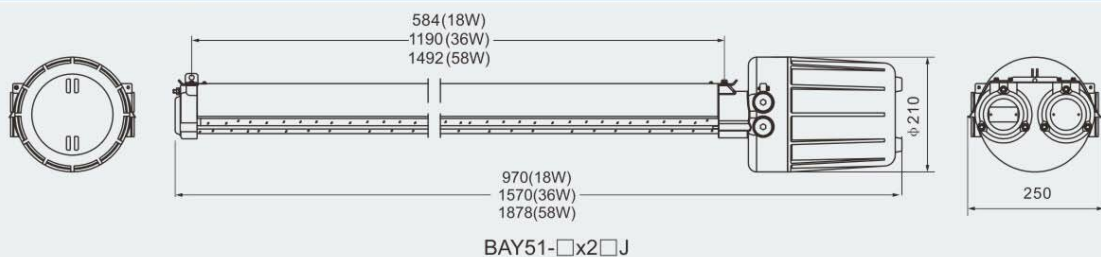


#### Selection table

Type / Ordering code	Lamp power(W)	Weight(kg)	Type / Ordering code	Lamp power(W)	Weight(kg)
BAY51-18 x 2XJ	18 x 2	14.50	BAY51-36 x 2LJ	36 x 2	20.30
BAY51-18 x 2LJ	18 x 2	14.60	BAY51-58 x 2XJ	58 x 2	22.20
BAY51-36 x 2XJ	36 x 2	20.20	BAY51-58 x 2LJ	58 x 2	22.30

**Note:** Products above include all the mounting accessories listed in Mounting Accessories & Spare Parts Table (see P2/23).

#### Dimension drawings (all dimensions in mm) - subject to alteration



supplied by...

**inatex.**  
www.inatex.com

General Catalogue 01.01.2022

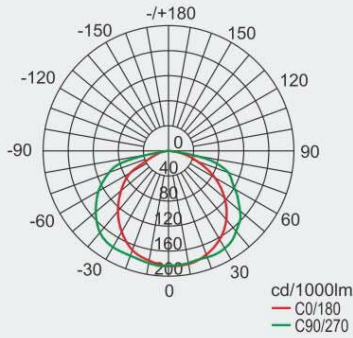
http://www.waromgroup.com

## Light Fittings for Fluorescent Lamp BAY51 Series Explosion-proof Light Fittings for Fluorescent Lamp

### Photometric data

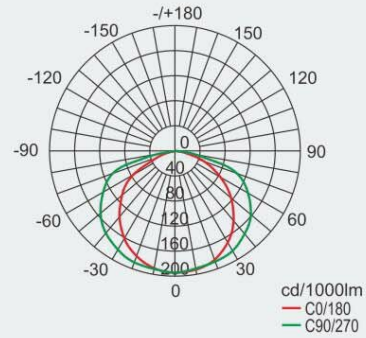
#### BAY51-18x1□□

Lamp power (W)	Rated luminous flux (Lamp tube)	Luminaire efficiency
18 x 1	1300lm	70%



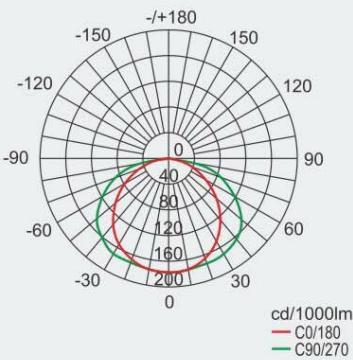
#### BAY51-18x2□□

Lamp power (W)	Rated luminous flux (Lamp tube)	Luminaire efficiency
18 x 2	2600lm	67%



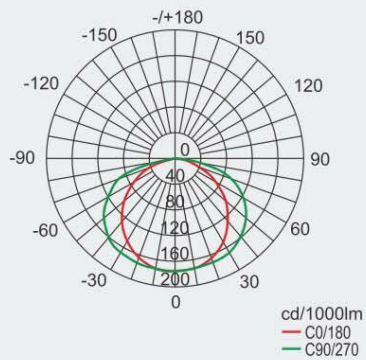
#### BAY51-36x1□□

Lamp power (W)	Rated luminous flux (Lamp tube)	Luminaire efficiency
36 x 1	3250lm	67%



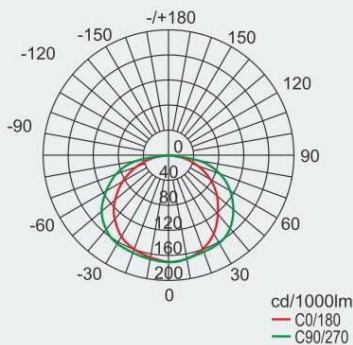
#### BAY51-36x2□□

Lamp power (W)	Rated luminous flux (Lamp tube)	Luminaire efficiency
36 x 2	6500lm	66%



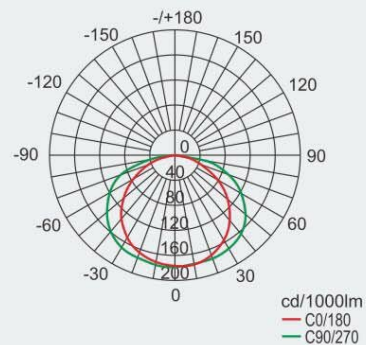
#### BAY51-58x1□□

Lamp power (W)	Rated luminous flux (Lamp tube)	Luminaire efficiency
58 x 1	5000lm	66%



#### BAY51-58x2□□

Lamp power (W)	Rated luminous flux (Lamp tube)	Luminaire efficiency
58 x 2	10000lm	65%



We can provide lighting design and data by professional lighting software DIALUX based upon simulated site situation on request.

## Light Fittings for Fluorescent Lamp BAY51 Series Explosion-proof Light Fittings for Fluorescent Lamp

### Technical data

#### Explosion-proof light fittings with LED tubes BAY51-LED□ × □□

##### Explosion protection

Global (IECEX)  
Gas and dust

IECEX CQM 12.0005X  
Ex d IIC T6 Gb  
Ex tb IIIC T80°C Db IP66

Europe (ATEX)  
Gas and dust

EPT 15 ATEX 2287X  
LCIE 11 ATEX 3112X  
Ex II 2 G Ex db IIC T6 Gb  
Ex II 2 D Ex tb IIIC T80°C Db IP66  
Ex II 2 D Ex t IIIC T80°C Db IP66

##### Certificates

##### Conformity to standards

IECEX; ATEX; CU-TR  
EN 60079-0, EN 60079-1, EN 60079-31  
IEC 60079-0, IEC 60079-1, IEC 60079-31

##### Material

Enclosure  
Glass tube  
LED driver

Copper-free Aluminium Alloy, powder coated surface, yellow (RAL1021)  
Toughened glass, stands 4J impact  
Wide voltage input, CC-CV (constant current - constant voltage) output, power factor ≥ 0.95, with function of distributed current, constant current, surge-proof and anti-electromagnetic interference, and protection against overcurrent, open circuit, and short circuit.

Wire guard (optional)  
External reflector  
Exposed fastener

Powder coated carbon steel (white) or stainless steel  
Powder coated pure aluminium  
Stainless steel

##### Lamp

Lamp specification  
Lamp power (W)  
Colour rendering index (Ra)  
Colour temperature (CCT)

LED module (supplied with the light fittings)  
9W x 1, 9W x 2, 18W x 1, 18W x 2, 28W x 1, 28W x 2  
≥ 80  
5000K  
Note: nature white is available in general. Warm white or cool white is optional, please specify when ordering.

##### Rated voltage

##### Earthing protection

##### Degree of protection

##### Ambient temperature

110~265V AC 50/60Hz  
M5 (internal & external earth bolts)  
IP66, IP67(optional)

Certificates	Lamp power (W)	Ambient temperature
EPT 15 ATEX 2287X	9W x 1, 9W x 2, 18W x 1, 18W x 2, 28W x 1, 28W x 2	-20°C~+55°C
LCIE 11 ATEX 3112X	9W x 1, 9W x 2, 18W x 1, 18W x 2	-40°C~+55°C
IECEX CQM 12.0005X	9W x 1, 9W x 2, 18W x 1, 18W x 2, 28W x 1, 28W x 2	-40°C~+55°C -20°C~+55°C

##### Terminal

##### Mounting

##### Cable entries

Single lamp  
Dual lamp

##### Cable gland

3 x 1.5~4mm<sup>2</sup> (L+N+PE)  
Ceiling type, pole type

2 x M25 x 1.5 plugs  
2 x M25 x 1.5 plugs

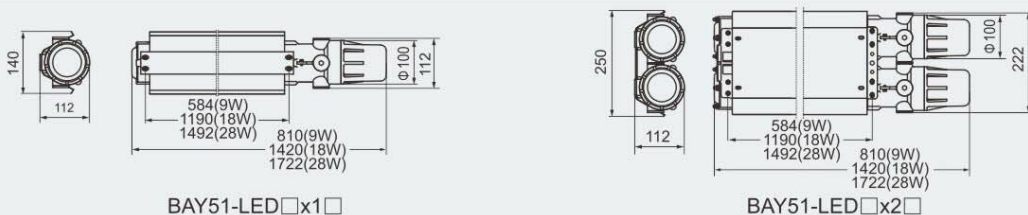
DQM-II (Ex d) or DQM-III (Ex d) is recommended. Please see P7/20~29

### Selection table

Type / Ordering code	Lamp power(W)	Weight(kg)	Type / Ordering code	Lamp power(W)	Weight(kg)
BAY51-LED 9 x 1X	9 x 1	5.50	BAY51-LED 9 x 2X	9 x 2	9.80
BAY51-LED 9 x 1L	9 x 1	5.90	BAY51-LED 9 x 2L	9 x 2	10.50
BAY51-LED 18 x 1X	18 x 1	8.30	BAY51-LED 18 x 2X	18 x 2	15.70
BAY51-LED 18 x 1L	18 x 1	8.35	BAY51-LED 18 x 2L	18 x 2	16.40
BAY51-LED 28 x 1X	28 x 1	10.00	BAY51-LED 28 x 2X	28 x 2	17.30
BAY51-LED 28 x 1L	28 x 1	10.30	BAY51-LED 28 x 2L	28 x 2	18.30

**Note:** Products above include all the mounting accessories listed in Mounting Accessories & Spare Parts Table (see P2/21~22).

### Dimension drawings (all dimensions in mm) - subject to alteration



supplied by...

**inatex.**  
www.inatex.com

General Catalogue 01.01.2022

http://www.waromgroup.com

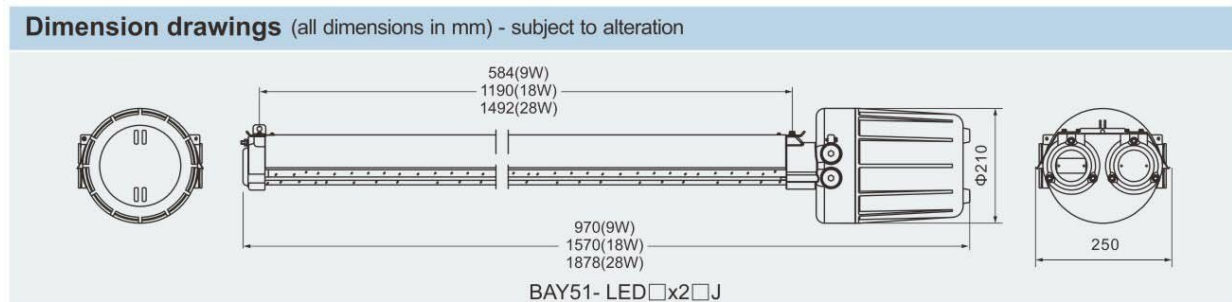
## Light Fittings for Fluorescent Lamp BAY51 Series Explosion-proof Light Fittings for Fluorescent Lamp

Technical data	
<b>Explosion-proof light fittings with LED tubes BAY51-LED□ × □□J</b>	
<b>Explosion protection</b>	IECEX CQM 14.0051X Ex d IIC T6 Gb Ex tb IIC T80°C Db IP66 EUT 14 ATEX 1885
Global (IECEX) Gas and dust	
Europe (ATEX) Gas and dust	⊕ II 2 G Ex d IIC T6 Gb ⊕ II 2 D Ex tb IIC T80°C Db IP66 IECEX; ATEX; CU-TR
<b>Certificates</b>	
<b>Conformity to standards</b>	EN 60079-0, EN 60079-1, EN 60079-31 IEC 60079-0, IEC 60079-1, IEC 60079-31
<b>Material</b>	
Enclosure	Copper-free Aluminium Alloy, powder coated surface, yellow (RAL1021)
Glass tube	Toughened glass, stands 4J impact
LED driver	Wide voltage input, CC-CV (constant current - constant voltage) output, with function of distributed current, constant current, surge-proof and anti-electromagnetic interference, and protection against overcurrent, open circuit, and short circuit.
Emergency unit	Special emergency controller and battery pack, with protection against over-charge and overdischarge
Wire guard (optional)	Powder coated carbon steel (white) or stainless steel
External reflector	Powder coated pure aluminium
Exposed fastener	Stainless steel
<b>Lamp</b>	
Lamp specification	LED module (supplied with the light fittings)
Lamp power (W)	9W x 2, 18W x 2, 28W x 2
Colour rendering index (Ra)	≥80
Colour temperature (CCT)	5000K
Emergency power (W)	Note: nature white is available in general. Warm white or cool white is optional, please specify when ordering. 9W x 30%, 18W x 30%, 28W x 30%
<b>Emergency starting time</b>	0.3s
<b>Charging time</b>	24h
<b>Emergency lighting time</b>	120min (180min is optional)
<b>Rated voltage</b>	110~265V AC 50/60Hz
<b>Earthing protection</b>	M5 (internal & external earth bolts)
<b>Degree of protection</b>	IP66, IP67 (optional)
<b>Ambient temperature</b>	-20°C~+55°C
<b>Terminal</b>	3 x 1.5~4mm <sup>2</sup> (L+N+PE)
<b>Cable entries</b>	4 x M25 x 1.5 plugs
<b>Cable gland(optional)</b>	DQM-II (Ex d) or DQM-III (Ex d) is recommended. Please see P7/20~29



Selection table								
Type / Ordering code	Lamp power(W)	Weight (kg)	Type / Ordering code	Lamp power(W)	Weight (kg)	Type / Ordering code	Lamp power(W)	Weight (kg)
BAY51-LED 9 x 2XJ	9 x 2	13.70	BAY51-LED 18 x 2XJ	18 x 2	19.40	BAY51-LED 28 x 2XJ	28 x 2	21.40
BAY51-LED 9 x 2LJ	9 x 2	13.80	BAY51-LED 18 x 2LJ	18 x 2	19.50	BAY51-LED 28 x 2LJ	28 x 2	21.50

**Note:** Products above include all the mounting accessories listed in Mounting Accessories & Spare Parts Table (see P2/23).



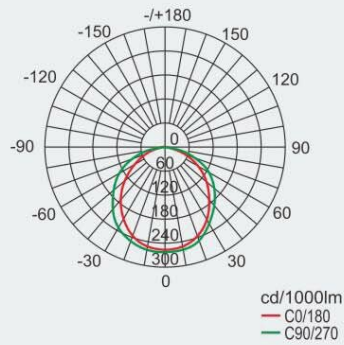
## Light Fittings for Fluorescent Lamp BAY51 Series Explosion-proof Light Fittings for Fluorescent Lamp

**Photometric data** Note: LED luminous flux is from the standard product of which colour temperature is 5000K

### BAY51-LED 9x1□

Lamp power (W)	Luminous flux	Wattage
9 x 1	1000lm	9.5W

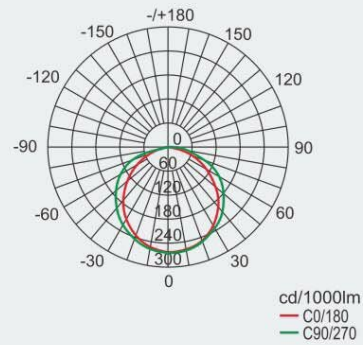
Rated luminous flux (Lamp tube) 9Wx1: 1080lm



### BAY51-LED 9x2□□

Lamp power (W)	Luminous flux	Wattage
9 x 2	1980lm	19W

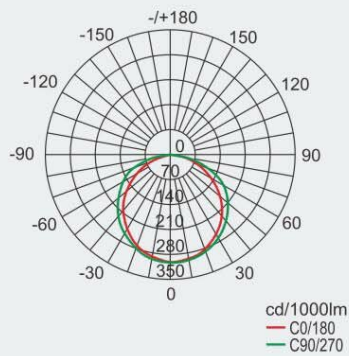
Rated luminous flux (Lamp tube) 9Wx2: 2160lm



### BAY51-LED 18x1□

Lamp power (W)	Luminous flux	Wattage
18 x 1	1960lm	18.5W

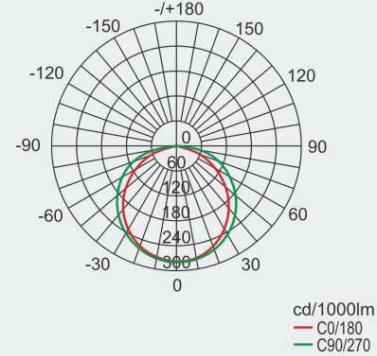
Rated luminous flux (Lamp tube) 18Wx1: 2160lm



### BAY51-LED 18x2□□

Lamp power (W)	Luminous flux	Wattage
18 x 2	3920lm	37W

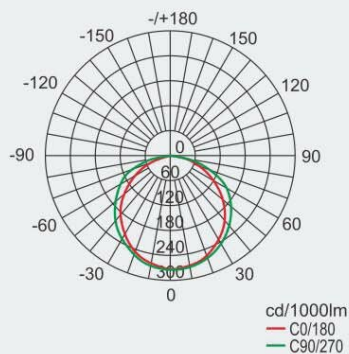
Rated luminous flux (Lamp tube) 18Wx2: 4320lm



### BAY51-LED 28x1□

Lamp power (W)	Luminous flux	Wattage
28 x 1	2985lm	29W

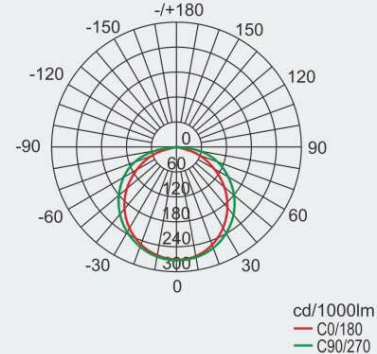
Rated luminous flux (Lamp tube) 28Wx1: 3360lm



### BAY51-LED 28x2□□

Lamp power (W)	Luminous flux	Wattage
28 x 2	5606lm	56W

Rated luminous flux (Lamp tube) 28Wx2: 6720lm



We can provide lighting design and data by professional lighting software DIALUX based upon simulated site situation on request.

supplied by...

**inatex.**  
www.inatex.com

General Catalogue 01.01.2022

http://www.waromgroup.com

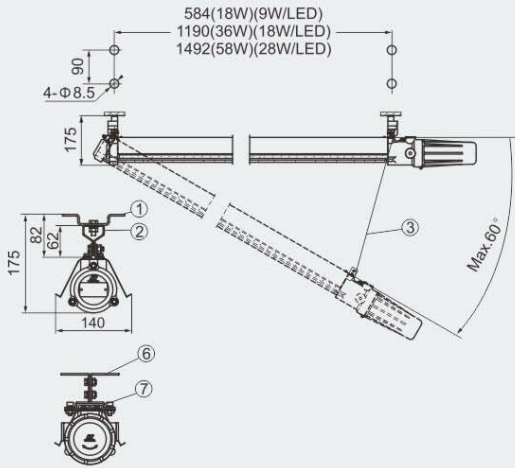


## Light Fittings for Fluorescent Lamp BAY51 Series Explosion-proof Light Fittings for Fluorescent Lamp

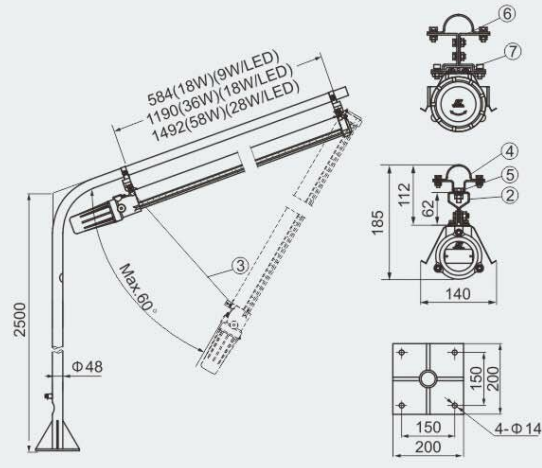
### Mounting type for light fittings with single lamp tube (all dimensions in mm) - subject to alteration

Installation reference

X: ceiling type

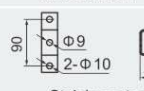
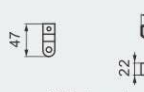
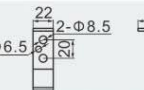
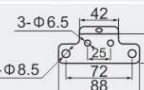
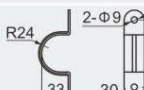
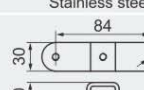


L: pole type (the pole is provided by user)



### Mounting Accessories & Spare Parts Table (light fittings with single lamp tube)

Supplied according to the mounting type

Mounting type	Accessories			Ordering code	Weight (kg)
	Name	Qty	Illustration		
X: ceiling type	①.Mounting bracket	2		5136030	0.07
	②.Connector	2		51S01X1	0.04
	③.Steel wire rope (with hook)	1	Stainless steel, length: 0.7m (18W, 9WLED), 1.3m (36W, 18WLED), 1.6m (58W, 28WLED)	51S01X2	0.30~0.50
	⑥.Mounting bracket	2		5136041	0.08
	⑦.Mounting bracket	1		5136042	0.08
L: pole type	④.G1 1/2" Pipe clamp	2		5136014	0.04
	⑤.Mounting bracket	2		5136012	0.04
	②.Connector	2	Stainless steel, same as ceiling type	51S01X1	0.04
	③.Steel wire rope (with hook)	1	Stainless steel, same as ceiling type	51S01X2	0.30~0.50
	⑥.Mounting bracket	2	Stainless steel, same as ceiling type	5136041	0.08
	⑦.Mounting bracket	1	Stainless steel, same as ceiling type	5136042	0.08

**Note:** Accessories not in the table shall be supplied by user.



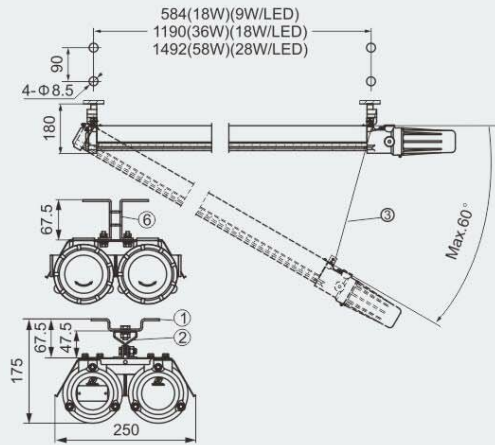


## Light Fittings for Fluorescent Lamp BAY51 Series Explosion-proof Light Fittings for Fluorescent Lamp

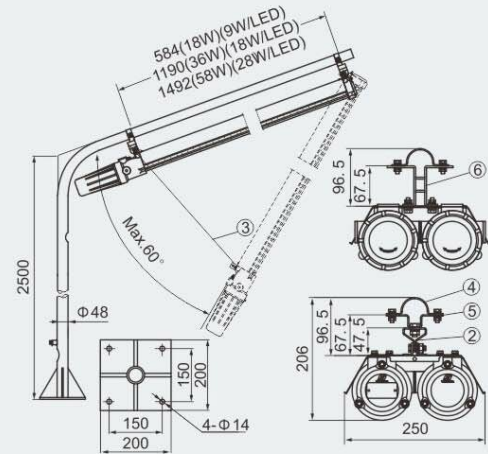
### Mounting type for light fittings with dual lamp tube (all dimensions in mm) - subject to alteration

Installation reference

X: ceiling type

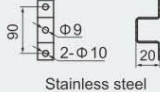

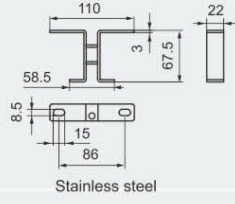
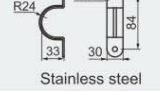
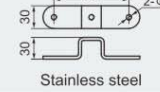


L: pole type (the pole is provided by user)



### Mounting Accessories & Spare Parts Table (light fittings with dual lamp tube)

Supplied according to the mounting type

Mounting type	Accessories			Ordering code	Weight (kg)
	Name	Qty	Illustration		
X: ceiling type	①.Mounting bracket	1		5136030	0.07
	②.Connector	1		51S01X1	0.04
	③.Steel wire rope (with hook)	1	Stainless steel, length: 0.7m (18W, 9WLED), 1.3m (36W, 18WLED), 1.6m (58W, 28WLED)	51S01X2	0.30~0.50
	⑥.Mounting bracket	1		51D01X3	0.13
L: pole type	④.G1 1/2" Pipe clamp	2		5136014	0.04
	⑤.Mounting bracket	1		5136012	0.04
	②.Connector	2	Stainless steel, same as ceiling type	51S01X1	0.04
	③.Steel wire rope (with hook)	1	Stainless steel, same as ceiling type	51S01X2	0.30~0.50
	⑥.Mounting bracket	1	Stainless steel, same as ceiling type	51D01X3	0.13

**Note:** Accessories not in the table shall be supplied by user.



supplied by...

**inatex.**  
www.inatex.com

General Catalogue 01.01.2022

http://www.waromgroup.com

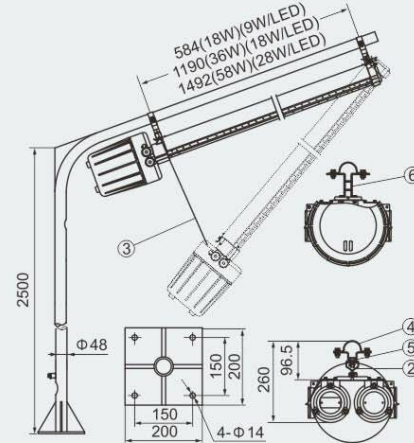
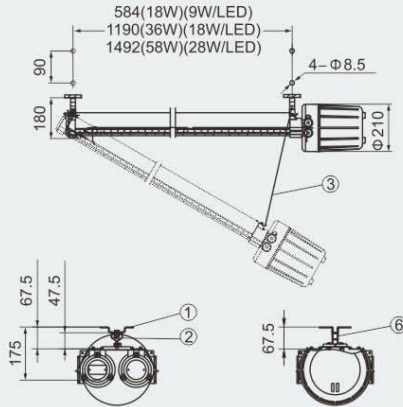
## Light Fittings for Fluorescent Lamp BAY51 Series Explosion-proof Light Fittings for Fluorescent Lamp

### Mounting type for light fittings with dual lamp tube (all dimensions in mm) - subject to alteration

Installation reference

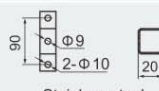

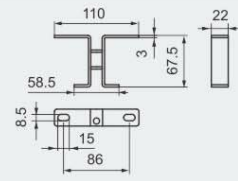
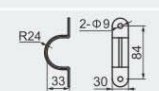
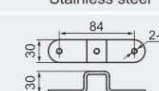
X: ceiling type (for: BAY51-□ × 2XJ; BAY51-LED□ × 2XJ)

L: pole type (the pole is provided by user)  
(for: BAY51-□ × 2LJ; BAY51-LED□ × 2LJ)



### Mounting Accessories & Spare Parts Table (light fittings with dual lamp tube)

Supplied according to the mounting type

Mounting type	Accessories			Ordering code	Weight (kg)
	Name	Qty	Illustration		
X: ceiling type	①.Mounting bracket	1		5136030	0.07
	②.Connector	1		51S01X1	0.04
	③.Steel wire rope (with hook)	1	Stainless steel, length: 0.7m (18W, 9WLED), 1.3m (36W, 18WLED), 1.6m (58W, 28WLED)	51S01X2	0.30~0.50
	⑥.Mounting bracket	1		51D01X3	0.13
L: pole type	④.G1 1/2" Pipe clamp	2		5136014	0.04
	⑤.Mounting bracket	1		5136012	0.04
	②.Connector	2	Stainless steel, same as ceiling type	51S01X1	0.04
	③.Steel wire rope (with hook)	1	Stainless steel, same as ceiling type	51S01X2	0.30~0.50
	⑥.Mounting bracket	1	Stainless steel, same as ceiling type	51D01X3	0.13

**Note:** Accessories not in the table shall be supplied by user.

