

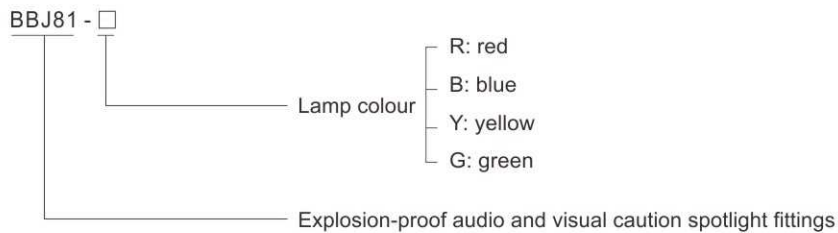
## Local, Caution Spotlight Fittings

### BBJ81 Series Explosion-proof Audio and Visual Caution Spotlight Fittings



- ◆ Explosion protection to
  - CENELEC
  - IEC
  - NEC
- ◆ Can be used in
  - Zone 1 and Zone 2
  - Zone 21 and Zone 22
  - Class I, Zone 1 and Zone 2
  - Class I, Division 1, Groups A, B, C, D
- ◆ Ultra-bright LED lamp, low power consumption and long service life.
- ◆ Lamp colours: red, blue, yellow, green.
- ◆ Enclosure in Copper-free Aluminium Alloy, powder coated surface, yellow (RAL1021).

#### ■ Catalogue number logic



#### ■ Selection table

Type/Ordering code	Weight(kg)
BBJ81-R	2.60
BBJ81-B	2.60
BBJ81-Y	2.60
BBJ81-G	2.60

Zones 1&2; 21&22

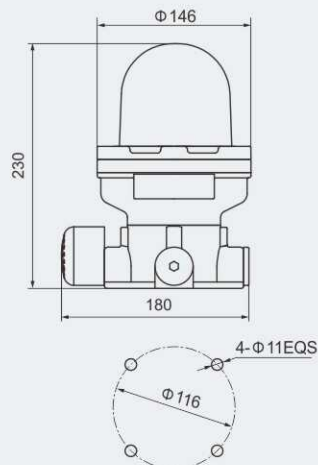
## Local, Caution Spotlight Fittings

### BBJ81 Series Explosion-proof Audio and Visual Caution Spotlight Fittings

Technical data	
Explosion-proof audio and visual caution spotlight fittings BBJ81-□	
<b>Explosion protection</b>	
Global (IECEX)	IECEX CQM 12.0035X
Gas and dust	Ex d ib IIC T6 Gb Ex t IIIC T80°C Db IP66
Europe (ATEX)	LCIE 11 ATEX 3111X
Gas and dust	⊕ II 2 G Ex d ib IIC T6 Gb ⊕ II 2 D Ex t IIIC T80°C Db IP66
<b>Certificates</b>	IECEX; ATEX; CU-TR
<b>Conformity to standards</b>	EN 60079-0, EN 60079-1, EN 60079-11, EN 60079-31 IEC 60079-0, IEC 60079-1, IEC 60079-11, IEC 60079-31
<b>Material</b>	
Enclosure	Copper-free Aluminium Alloy, powder coated surface, yellow (RAL1021)
Transparent cover	Toughened glass, stands 4J impact
Exposed fastener	Stainless steel
<b>Rated voltage</b>	220~240V AC 50/60Hz; 24V DC/AC
<b>Lamp</b>	
Lamp specification	LED
Lamp power (W)	5W
<b>Lamp colour</b>	Red, blue, yellow, green
<b>Flash frequency</b>	70 (times/min)
<b>Sound intensity</b>	85~105dB (R=1m)
<b>Earthing protection</b>	M5 (internal & external earth bolts)
<b>Degree of protection</b>	IP66
<b>Ambient temperature</b>	-40°C~+55°C
<b>Terminal</b>	3 x 1.5~2.5mm <sup>2</sup> (L+N+PE)
<b>Cable entries</b>	3 x M25 x 1.5 plugs
<b>Cable gland (optional)</b>	DQM-II (Ex d) or DQM-III (Ex d) is recommended. Please see P7/20~29.



#### Dimension drawings (all dimensions in mm) - subject to alteration



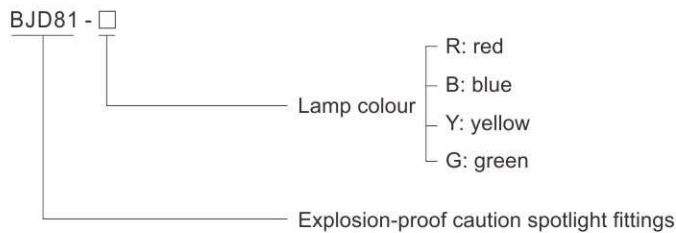
## Local, Caution Spotlight Fittings

### BJD81 Series Explosion-proof Caution Spotlight Fittings



- ◆ Explosion protection to
  - CENELEC
  - IEC
  - NEC
- ◆ Can be used in
  - Zone 1 and Zone 2
  - Zone 21 and Zone 22
  - Class I, Zone 1 and Zone 2
  - Class I, Division 1, Groups A, B, C, D
- ◆ Ultra-bright LED lamp, low power consumption and long service life.
- ◆ Lamp colour: red, blue, yellow, green.
- ◆ Enclosure in Copper-free Aluminium Alloy, powder coated surface, yellow (RAL1021).

#### ■ Catalogue number logic



#### ■ Selection table

Type/Ordering code	Weight(kg)
BJD81-R	2.50
BJD81-B	2.50
BJD81-Y	2.50
BJD81-G	2.50

# Zones 1&2; 21&22

## Local, Caution Spotlight Fittings

### BJD81 Series Explosion-proof Caution Spotlight Fittings

#### Technical data

#### Explosion-proof caution spotlight fittings BJD81-□

##### Explosion protection

Global (IECEX)

IECEX CQM 12.0038X

Gas and dust

Ex d IIC T6 Gb

Ex t IIIC T80°C Db IP66

Europe (ATEX)

LCIE 11 ATEX 3109X

Gas and dust

⊕ II 2 G Ex d IIC T6 Gb

⊕ II 2 D Ex t IIIC T80°C Db IP66

##### Certificates

IECEX; ATEX; CU-TR

##### Conformity to standards

EN 60079-0, EN 60079-1, EN 60079-31

IEC 60079-0, IEC 60079-1, IEC 60079-31

##### Material

Enclosure

Copper-free Aluminium Alloy, powder coated surface, yellow (RAL1021)

Transparent cover

Toughened glass, stands 4J impact

Exposed fastener

Stainless steel

##### Rated voltage

220~240V AC 50/60Hz; 24V DC/AC

##### Lamp

Lamp specification

LED

Lamp power (W)

3W

Lamp colour

Red, blue, yellow, green

##### Flash frequency

70 (times/min)

##### Earthing protection

M5 (internal & external earth bolts)

##### Degree of protection

IP66

##### Ambient temperature

-40°C~+55°C

##### Terminal

3 x 1.5~2.5mm<sup>2</sup> (L+N+PE)

##### Cable entries

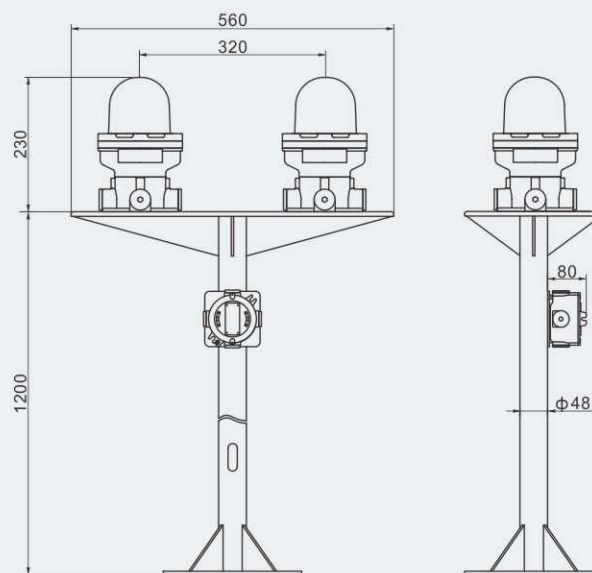
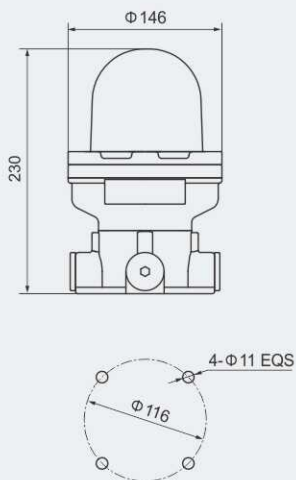
4 x M25 x 1.5 plugs

##### Cable gland (optional)

DQM-II (Ex d) or DQM-III (Ex d) is recommended. Please see P7/20~29.



#### Dimension drawings (all dimensions in mm) - subject to alteration



Drawings of main (spare) caution spotlight fittings

The light fitting consists of two completely independent lamp circuit boards which can control the main and spare lamps respectively. Generally, the main lamp is working. If the main lamp is damaged, the spare lamp will be started automatically to be substituted for main lamp.