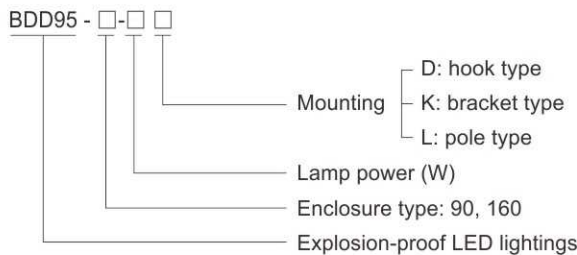


LED Light Fittings BDD95 Series Explosion-proof LED Lightings



- ◆ Explosion protection to
 - CENELEC
 - IEC
 - NEC
- ◆ Can be used in
 - Zone 1 and Zone 2
 - Zone 21 and Zone 22
 - Class I, Zone 1 and Zone 2
 - Class I, Division 2, Groups A, B, C, D
- ◆ Two enclosure types: 90, 160
- ◆ Applicable lamp and power (max.160W)
 - LED: 60W, 90W, 120W, 160W
- ◆ Isolated LED lamp compartment, CC-CV (constant current - constant voltage) power controller compartment and terminal compartment; Wind-convection heat dissipation structure.
- ◆ New COB technology, large power and white light LED array, power of single LED can reach 20W~40W, high lighting efficiency, long service life.
- ◆ Two types of light distribution: spotlight and floodlight, which can be selected on request.
- ◆ 160 type lightings adopt light fitting integrated two lamps, the power of whole machine is of 2x120W,2x160W
- ◆ Low-maintenance due to long service life is up to 100,000 operating hours.

Catalogue number logic



Selection table

Type / Ordering code	Lamp power(W)	Weight (kg)	Type / Ordering code	Lamp power(W)	Weight (kg)	Type / Ordering code	Lamp power(W)	Weight (kg)
BDD95-90-60K	60	8.50	BDD95-90-60D	60	8.10	BDD95-90-60L	60	8.10
BDD95-90-90K	90	8.50	BDD95-90-90D	90	8.10	BDD95-90-90L	90	8.10
BDD95-160-120K	120	12.20	BDD95-160-120D	120	11.60	BDD95-160-120L	120	11.70
BDD95-160-160K	160	12.20	BDD95-160-160D	160	11.60	BDD95-160-160L	160	11.70

Note: 1. The product is supplied according to "Type/Ordering code" in the table with mounting accessories.
2. Two types of light distribution: spotlight and floodlight. The light fittings are supplied without lens. Lighting distribution is of floodlight. If required, please specify when ordering.

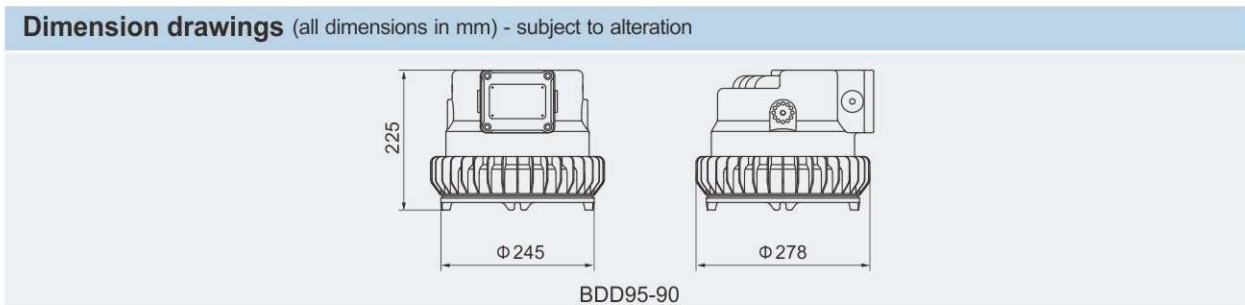
Zones 1&2; 21&22

LED Light Fittings BDD95 Series Explosion-proof LED Lightings

Technical data	
Explosion-proof LED lightings BDD95-90-□□	
Explosion protection	
Global (IECEX)	IECEX CQM 15.0047X;
Gas and dust	Ex db eb op is IIC T□ ¹⁾ Gb Ex tb op is IIIC T□ ¹⁾ Db
Europe (ATEX)	EPT 15 ATEX 2315X
Gas and dust	⊕ II 2 G Ex db eb op is IIC □°C T□ ¹⁾ Gb ⊕ II 2 D Ex op is tb IIIC T□ ¹⁾ °C Db ¹⁾ See Selection Table
Certificates	IECEX; ATEX; CU-TR; UL
Conformity to standards	EN 60079-0, EN 60079-1, EN 60079-7, EN 60079-31 IEC 60079-0, IEC 60079-1, IEC 60079-7, IEC 60079-31 CSA C22.2 NO.137-M1981; UL 844; UL 8750; UL 1598 CSA C22.2 NO.250.0-08; CSA C22.2 NO.250.13-14
Material	
Enclosure	Copper-free Aluminium Alloy, powder coated surface, yellow (RAL1021)
Glass cover	Toughened glass, stands 4J impact
Exposed fastener	Stainless steel
LED driver	Wide voltage input, CC-CV (constant current - constant voltage) output, power factor ≥ 0.95, with function of distributed current, constant current, surge-proof and anti-electromagnetic interference, and protection against overcurrent, open circuit, and short circuit
Lamp	
Lamp specification	Integrated LED, Multiple LED
Lamp power (W)	60W, 90W
Colour rendering index (Ra)	≥ 80
Colour temperature (CCT)	5700K Note: cool white is available in general. Warm white or nature white is optional, please specify when ordering.
Rated voltage	100~300V AC 50/60Hz
Earthing protection	M5 (internal & external earth bolts)
Degree of protection	IP66
Ambient temperature	-40°C~+55°C
Terminal	3 x 1.5~4mm ² (L+N+PE)
Mounting	bracket type, hook type, pole type
Cable entries	2 x M25 x 1.5 plugs
Cable gland	DQM-I (Ex e) is recommended. Please see P7/17~19.



Selection table				
Rated power(W)	Temperature classification			
	-40°C ≤ Ta ≤ +40°C		-40°C ≤ Ta ≤ +55°C	
	Gas	Dust	Gas	Dust
60	67°C (T6)	62°C	82°C (T6)	77°C
90	87°C (T5)	82°C	102°C (T4)	97°C



LED Light Fittings

BDD95 Series Explosion-proof LED Lightings

Technical data

Explosion-proof LED lightings BDD95-160-□□

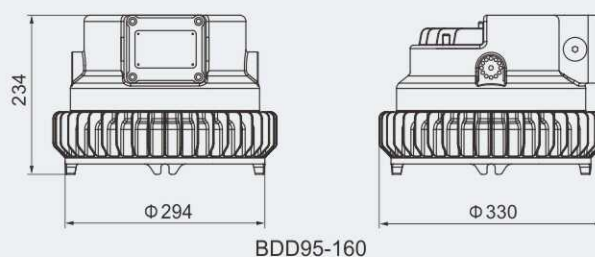
Explosion protection	
Global (IECEX)	IECEX CQM 15.0047X
Gas and dust	Ex db eb op is IIC T□ ¹⁾ Gb Ex tb op is IIIC T□ ¹⁾ Db EPT 15 ATEX 2315X
Europe (ATEX)	EPT 15 ATEX 2315X
Gas and dust	⊕ Ex II 2 G Ex db eb op is IIC □°C T□ ¹⁾ Gb ⊕ Ex II 2 D Ex op is tb IIIC T□ ¹⁾ °C Db ¹⁾ See Selection Table
Certificates	IECEX; ATEX; CU-TR; UL
Conformity to standards	EN 60079-0, EN 60079-1, EN 60079-7, EN 60079-31 IEC 60079-0, IEC 60079-1, IEC 60079-7, IEC 60079-31 CSA C22.2 NO.137-M1981; UL 844; UL 8750; UL 1598 CSA C22.2 NO.250.0-08; CSA C22.2 NO.250.13-14
Material	
Enclosure	Copper-free Aluminium Alloy, powder coated surface, yellow (RAL1021)
Glass cover	Toughened glass, stands 4J impact
Exposed fastener	Stainless steel
LED driver	Wide voltage input, CC-CV (constant current - constant voltage) output, power factor ≥ 0.95, with function of distributed current, constant current, surge-proof and anti-electromagnetic interference, and protection against overcurrent, open circuit, and short circuit
Lamp	
Lamp specification	Integrated LED, Multiple LED
Lamp power (W)	120W, 160W
Colour rendering index (Ra)	≥ 80
Colour temperature (CCT)	5700K Note: cool white is available in general. Warm white or nature white is optional, please specify when ordering.
Rated voltage	100~300V AC 50/60Hz
Earthing protection	M5 (internal & external earth bolts)
Degree of protection	IP66
Ambient temperature	-40°C~+55°C
Terminal	3 x 1.5~4mm ² (L+N+PE)
Mounting	bracket type, hook type, pole type
Cable entries	2 x M25 x 1.5 plugs
Cable gland	DQM-I (Ex e) is recommended. Please see P7/17~19.



Selection table

Rated power(W)	Temperature classification			
	-40°C ≤ Ta ≤ +40°C		-40°C ≤ Ta ≤ +55°C	
	Gas	Dust	Gas	Dust
120	72°C (T6)	67°C	87°C (T5)	82°C
160	92°C (T5)	87°C	107°C (T4)	102°C

Dimension drawings (all dimensions in mm) - subject to alteration



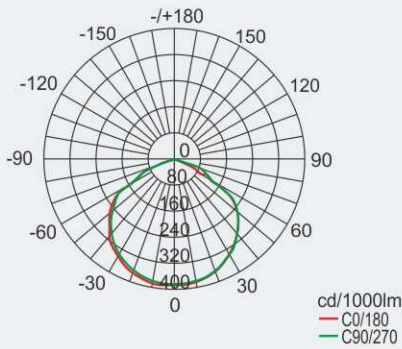
LED Light Fittings

BDD95 Series Explosion-proof LED Lightings

Photometric data Note: LED luminous flux is from the standard product of which colour temperature is 5700K (cool white).

BDD95-90-□□

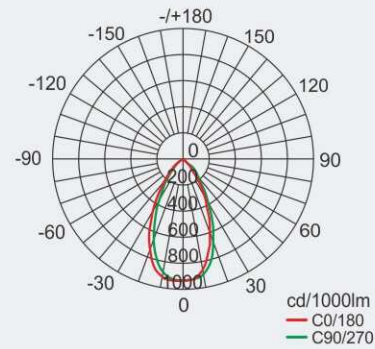
Lamp power (W)	Luminous flux	Wattage
60	7200lm	61W
90	10450lm	90W



BDD95-90-□□

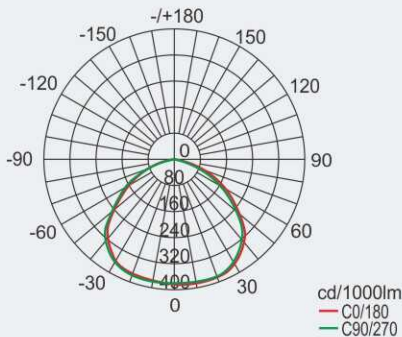
Lamp power (W)	Luminous flux	Wattage
60	7200lm	61W
90	10450lm	90W

Note: Lens of 45° and 30° can be provided on request.



BDD95-160-□□

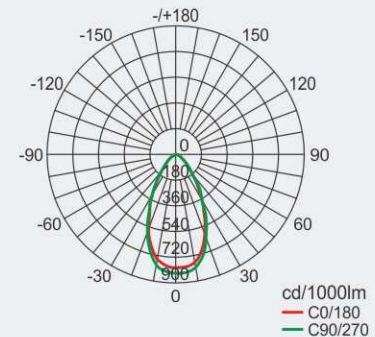
Lamp power (W)	Luminous flux	Wattage
120	13200lm	120W
160	19250lm	160W



BDD95-160-□□

Lamp power (W)	Luminous flux	Wattage
120	13200lm	120W
160	19250lm	160W

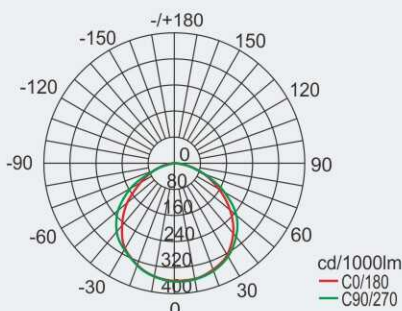
Note: Lens of 45° and 30° can be provided on request.



BDD95-160-□□

Note: Measuring parameters of light fitting integrating two lamps

Lamp power (W)	Luminous flux	Wattage
2 x 120	26400lm	240W
2 x 160	38500lm	320W

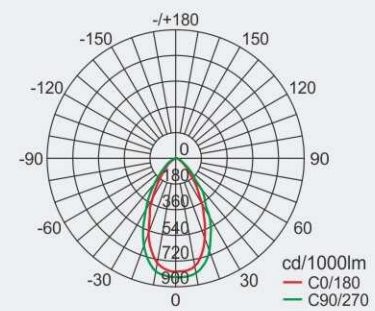


BDD95-160-□□

Note: Measuring parameters of light fitting integrating two lamps

Lamp power (W)	Luminous flux	Wattage
2 x 120	26400lm	240W
2 x 160	38500lm	320W

Note: Lens of 45° and 30° can be provided on request.

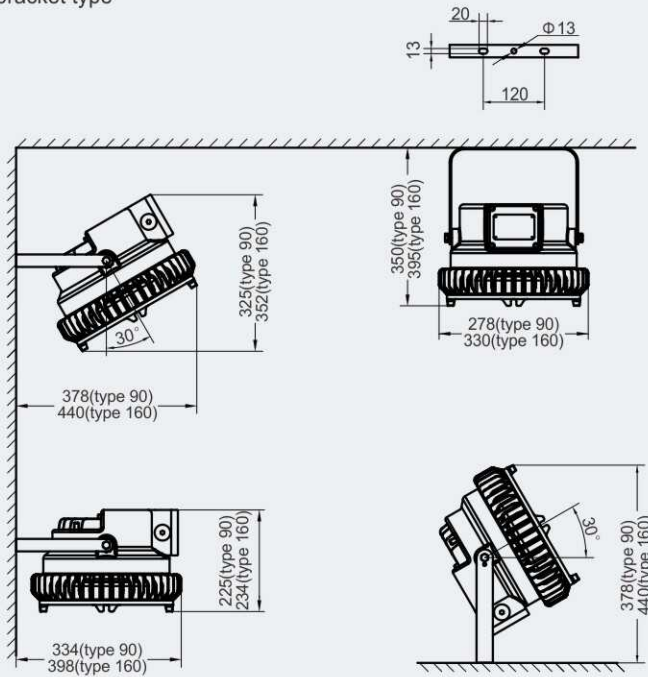


We can provide lighting design and data by professional lighting software DIALUX based upon simulated site situation on request.

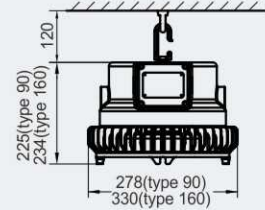
LED Light Fittings BDD95 Series Explosion-proof LED Lightings

Mounting type (all dimensions in mm) - subject to alteration

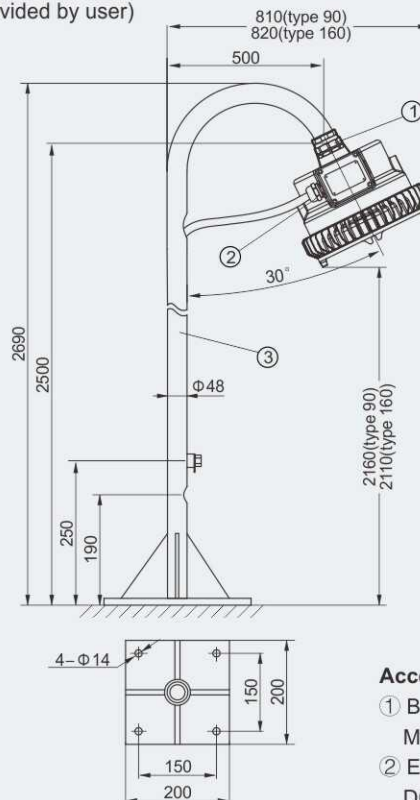
K: bracket type



D: hook type



L: pole type (the pole is provided by user)



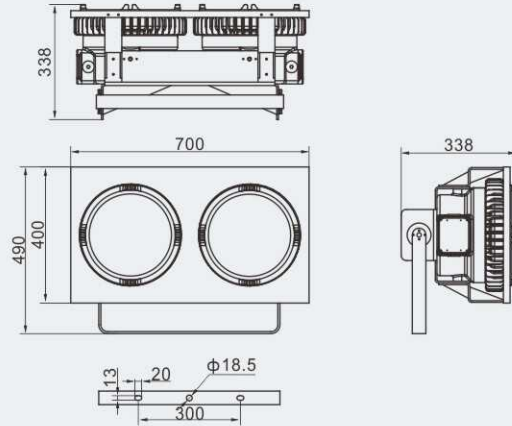
Accessories supplied with the light fittings:

- ① BGJ-III explosion-proof connector M25x 1.5(M) / M25x 1.5(M), Stainless steel.
- ② Explosion-proof cable glands are provided by user. DQM-I (Ex e) is recommended, please see P7/17~19.
- ③ Pole shall be provided by user.



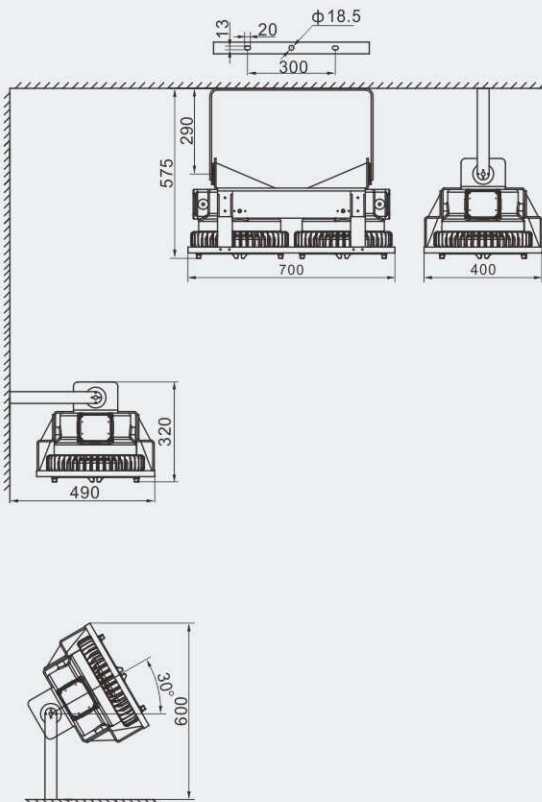
LED Light Fittings BDD95 Series Explosion-proof LED Lightings

The description of light fitting integrated two lamps (2x120W, 2X160W)



Mounting types

Bracket type



Street lamp type

