

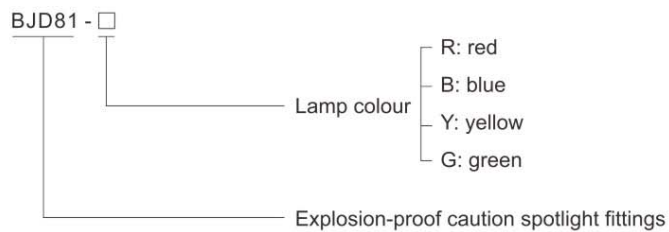
Local, Caution Spotlight Fittings

BJD81 Series Explosion-proof Caution Spotlight Fittings



- ◆ Explosion protection to
 - CENELEC
 - IEC
 - NEC
- ◆ Can be used in
 - Zone 1 and Zone 2
 - Zone 21 and Zone 22
 - Class I, Zone 1 and Zone 2
 - Class I, Division 1, Groups A, B, C, D
- ◆ Ultra-bright LED lamp, low power consumption and long service life.
- ◆ Lamp colour: red, blue, yellow, green.
- ◆ Enclosure in Copper-free Aluminium Alloy, powder coated surface, yellow (RAL1021).

■ Catalogue number logic



■ Selection table

Type/Ordering code	Weight(kg)
BJD81-R	2.50
BJD81-B	2.50
BJD81-Y	2.50
BJD81-G	2.50

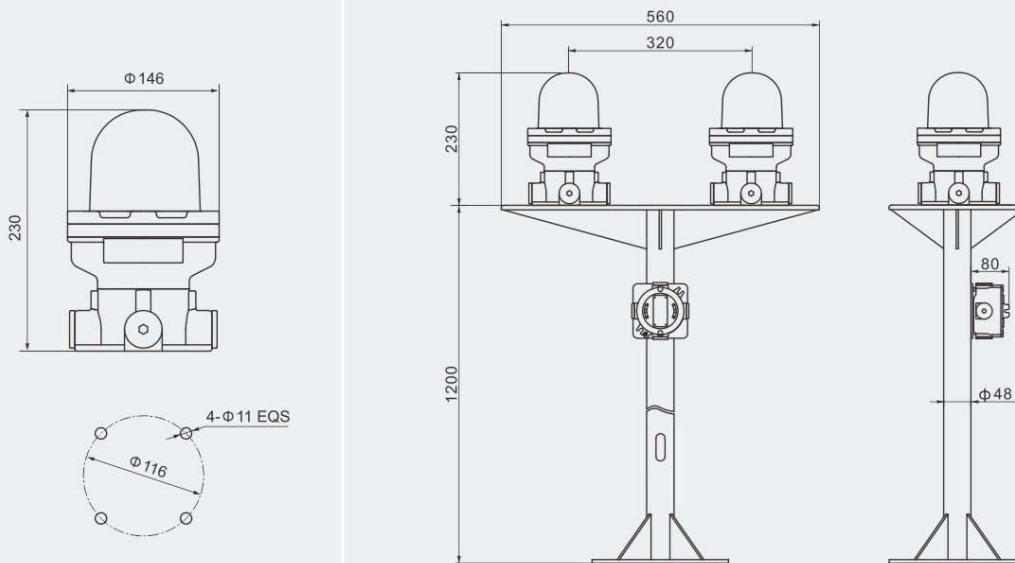
Zones 1&2; 21&22

Local, Caution Spotlight Fittings

BJD81 Series Explosion-proof Caution Spotlight Fittings

Technical data	
Explosion-proof caution spotlight fittings BJD81-□	
Explosion protection	
Global (IECEX)	IECEX CQM 12.0038X
Gas and dust	Ex d IIC T6 Gb
	Ex t IIIC T80°C Db IP66
Europe (ATEX)	LCIE 11 ATEX 3109X
Gas and dust	⊕ II 2 G Ex d IIC T6 Gb
	⊕ II 2 D Ex t IIIC T80°C Db IP66
Certificates	IECEX; ATEX; CU-TR
Conformity to standards	EN 60079-0, EN 60079-1, EN 60079-31 IEC 60079-0, IEC 60079-1, IEC 60079-31
Material	
Enclosure	Copper-free Aluminium Alloy, powder coated surface, yellow (RAL1021)
Transparent cover	Toughened glass, stands 4J impact
Exposed fastener	Stainless steel
Rated voltage	220~240V AC 50/60Hz; 24V DC/AC
Lamp	
Lamp specification	LED
Lamp power (W)	3W
Lamp colour	Red, blue, yellow, green
Flash frequency	70 (times/min)
Earthing protection	M5 (internal & external earth bolts)
Degree of protection	IP66, IP67 (optional)
Ambient temperature	-40°C~+55°C
Terminal	3 x 1.5~2.5mm ² (L+N+PE)
Cable entries	4 x M25 x 1.5 plugs
Cable gland (optional)	DQM-II (Ex d) or DQM-III (Ex d) is recommended. Please see P7/20~29.

Dimension drawings (all dimensions in mm) - subject to alteration



Drawings of main (spare) caution spotlight fittings

The light fitting consists of two completely independent lamp circuit boards which can control the main and spare lamps respectively. Generally, the main lamp is working. If the main lamp is damaged, the spare lamp will be started automatically to be substituted for main lamp.

