

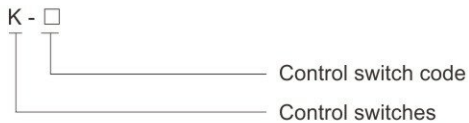
## Components for BZC8050 Control Stations BK8050 Series Control Switches

- ◆ Explosion protection to
  - CENELEC
  - IEC
  - NEC
- ◆ Can be used in
  - Zone 1 and Zone 2
  - Zone 21 and Zone 22
  - Class I, Zone 1 and Zone 2
  - Class I, Division 2, Groups A, B, C, D
- ◆ Number of pole: 2P, 3P, 4P, 6P.
- ◆ Available in latching and spring-return forms.



### ■ Catalogue number logic

BK8050(K for short)



# Zones 1&2; 21&22

## Components for BZC8050 Control Stations BK8050 Series Control Switches

Selection table of control switches

Control switch code	Chart of contact	Equivalent switch	Position (solid line: location; dash line: spring return)	Instruction for equivalent function
A				A.Functional wiring is the same as double buttons with auto-reset function.
B				B.Functional wiring is the same as double buttons; auto-reset after start; lock-stop gear added to avoid mistake operation.
C				C.Button with 2 NO contacts and available at auto-reset function. Suitable for high-voltage engine control circuit or function panel uses switch code "a" .
D				D.Low-power switch.
E				E.Function is the same as three buttons; able to control engine in forward and backward rotation. FW&BW starting positions can auto-reset.
F				F.Selection switch with stop gear.
G				G.Be equal to mounting two buttons and one changeover switch in one axis. Possible to output contact signal or monitoring signal between start and stop.
H				H.Multi-signals transmit gradually.



## Components for BZC8050 Control Stations BK8050 Series Control Switches

Selection table of control switches				
Control switch code	Chart of contact	Equivalent switch	Position (solid line: location; dash line: spring return)	Instruction for equivalent function
I				I. Add function of transmitting resultant signal on the base of function panel uses switch code "h" .
J				J. Two positions step; change-over gradually.
K				K. Changeover switch.
L				L. Selection switch with three poles and two launches.
M				M. Three-position changeover switch among auto, manual and start; auto-reset after start; it can convert to auto gear only after passing stop gear.
N				N. Structure is a little different to universal structure of switch code "m" ; it directly rotates to auto gear without passing stop gear after starts.



## Components for BZC8050 Control Stations BK8050 Series Control Switches

Selection table of control switches

Control switch code	Chart of contact	Equivalent switch	Position (solid line: location; dash line: spring return)	Instruction for equivalent function
O				O. Double contacts auto reset for start, with lock-stop gear; lock switch at stop gear to prevent mistake operation.
P				P. Double contacts for stop, to substitute switch code "a" and "c" for start and stop; auto-reset.
Q				Q. Stop with double contacts, with lock stop gear; auto-reset after start; possible to add lock-stop gear to lock switch at stop to prevent mistake operation.
R				R. Double contacts for both start and stop; it is same as universal panel of switch code "a", with auto-reset for start and stop.
S				S. Transmit a contact signal before start and stop.
T				T. With lock-stop gear for start and stop to prevent mistake operation; without auto-reset.
U				U. Double-control selection switch.
V				V. Changeover switch for voltage phase-changing and measuring.



## Components for BZC8050 Control Stations BK8050 Series Control Switches

Selection table of control switches				
Control switch code	Chart of contact	Equivalent switch	Position (solid line: location; dash line: spring return)	Instruction for equivalent function
W				W. One 2NO auto-reset pushbutton, both left and right are the same.
X				X. Two 2NO auto-reset buttons.

### Technical data

#### Control switches BK8050

##### Explosion protection

Global (IECEX)

Gas

Europe (ATEX)

Gas

##### Certificates

##### Conformity to standards

##### Enclosure material

##### Rated voltage

##### Rated current

##### Switch angle

##### Service life

##### Ambient temperature

##### Cable connection

##### Material of rotary actuator

##### Panel material

##### Seal material

IECEX CQM 11.0011U

Ex d e IIC Gb

LCIE 09 ATEX 3096U

Ⓔ II 2 G Ex d e IIC Gb

IECEX; ATEX; CU-TR

EN 60079-0, EN 60079-1, EN 60079-7

IEC 60079-0, IEC 60079-1, IEC 60079-7

Plastic

Max. 415V AC

16A

n x 45°/n x 90°

10<sup>5</sup> times

-20°C~+70°C(ATEX), -20°C~+80°C(IECEX)

2.5mm<sup>2</sup>

Polycarbonate (PC)

Acrylonitrile-butadiene-styrene (ABS)

Nitrile butadiene rubber (NBR)

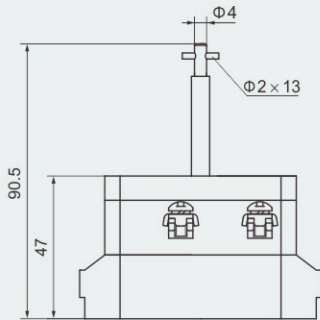


### Accessories

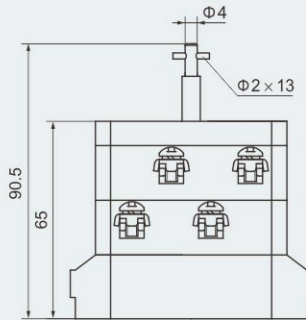
Description	Illustration	Ordering code	Weight (kg)
Rotary actuator (padlockable)		40119	0.05

## Components for BZC8050 Control Stations BK8050 Series Control Switches

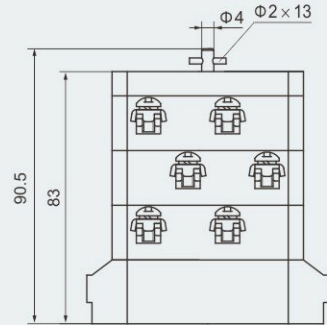
Dimension drawings (all dimensions in mm) - subject to alteration



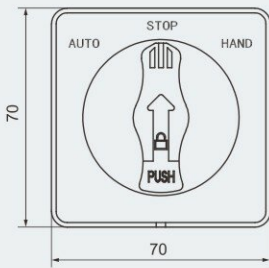
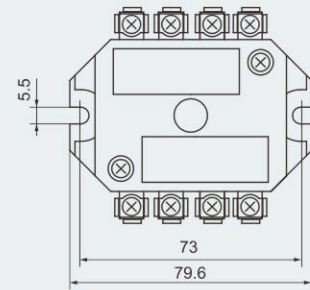
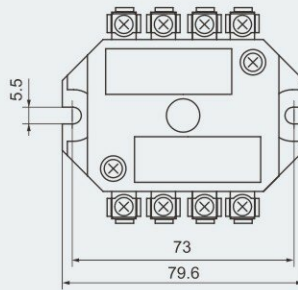
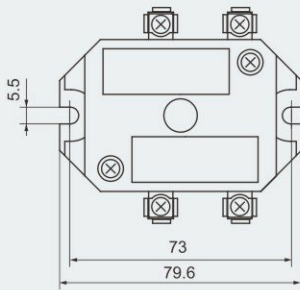
Control switch 2 poles



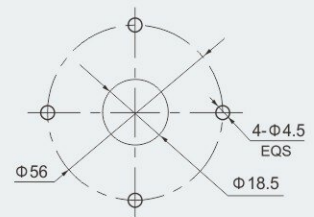
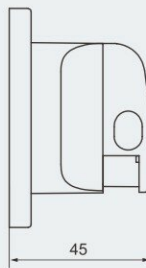
Control switch 3 or 4 poles



Control switch 6 poles



Rotary actuator



Mounting hole