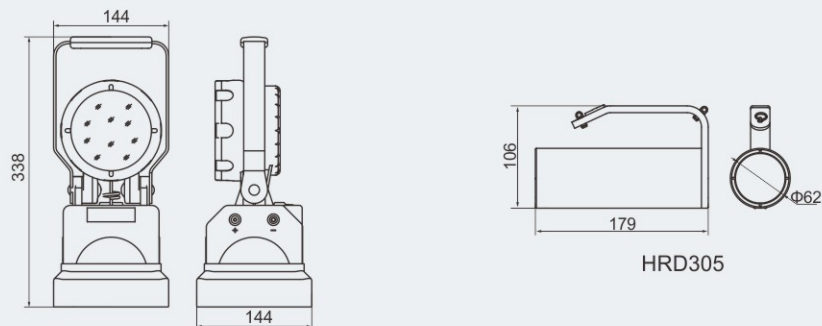


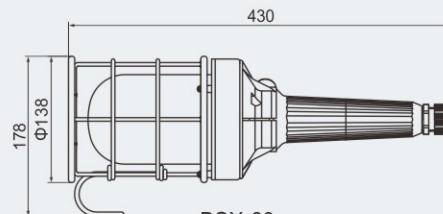
**HRD305 Portable Searchlight****HRD309E Searchlight****BSX-60 Series Explosion-proof Incandescent Hand Lamps**

- ◆ Explosion protection to
 - CENELEC
 - IEC
 - NEC
- ◆ Can be used in
 - Zone 1 and Zone 2
 - Zone 21 and Zone 22
 - Class I, Zone 1 and Zone 2
 - Class I, Division 1, Groups A, B, C, D
 - Class I, Division 2, Groups A, B, C, D

Dimension drawings (all dimensions in mm) - subject to alteration

HRD309E

HRD305



BSX-60

Zones 1&2; 21&22

Hand Lamps

HRD305 Portable Searchlight

- ◆ Explosion protection to
 - CENELEC
 - IEC
 - NEC
- ◆ Can be used in
 - Zone 1 and Zone 2
 - Zone 21 and Zone 22
 - Class I, Zone 1 and Zone 2
 - Class I, Division 1, Groups A, B, C, D
- ◆ Safe and reliable: the product with reliable explosion-proof performance, can safely and reliably work in various combustible areas, the battery is equipped with PTC thermistor and temperature fuse; double-protected circuit, safety performance enhanced.
- ◆ Efficient and energy-saving: memory-free battery, with long service life, low auto-discharge rate, economic and environmental friendly, solid efficient LED lamp, low energy consumption and long service life.
- ◆ Waterproof and damage-proof: the enclosure is made of imported alloy with high strength, excellent strong impact resistant performance, unique sealing type, with very good water-proof performance.
- ◆ Anti-strong interference: scientific module driving circuit, strong performance of anti-shock and anti-electromagnetic interference.
- ◆ Heat resistant: LED radiator and battery are effectively isolated, which improves the stability of the light.
- ◆ Intelligent control: pulse dimming technology, strong light and working light can be changed at random, with battery detection indicator, which can detect the working condition at any time, intelligent charger is with protection circuit.
- ◆ Portable and flexible: small volume, light weigh, several types of handling like portable and on shoulder, meet different working requirement.



Technical data

Portable Searchlight HRD305

Explosion protection	
Global (IECEX)	IECEX CQM 13.0026X
Gas and dust	Ex d ia IIC T6 Gb Ex tb IIIC T80°C Db IP68
Europe (ATEX)	LCIE 13 ATEX 3089X
Gas and dust	⊕ II 2 G Ex d ia IIC T6 Gb ⊕ II 2 D Ex tb IIIC T80°C Db IP68
Certificates	IECEX; ATEX; CU-TR
Conformity to standards	EN 60079-0, EN 60079-1, EN 60079-11, EN 60079-31 IEC 60079-0, IEC 60079-1, IEC 60079-11, IEC 60079-31
Rated voltage	14.8V
Rated capacity	2Ah
Lamp(LED)	
Rated power	9W / 3W
Current of strong light	900mA
Continuous working time	
Strong light	≥ 8h
Working light	≥ 16h
Charging time	≥ 8h
Charging voltage	100~240V AC, 50/60Hz
Service life of battery	about 1000 times cycling
Degree of protection	IP68
Weight	790g



Zones 1&2; 21&22

Hand Lamps

HRD309E Searchlight



- ◆ Explosion protection to
 - CENELEC
 - IEC
 - NEC
- ◆ Can be used in
 - Zone 2
 - Zone 21 and Zone 22
 - Class I, Zone 2
 - Class I, Division 2, Groups A, B, C, D
- ◆ Safe and reliable: the product with good explosion-proof performance and antistatic effect, can safely and reliably work in various combustible areas.
- ◆ Efficient and energy-saving: LED solid lamp, low energy consumption, high luminous efficacy, long service life, maintenance free and no subsequent usage cost, memory-free battery is recyclable, pollution-free.
- ◆ Waterproof and damage-proof: the light adopts whole-sealing craft, applicable in damp and severe atmosphere, special alloy enclosure makes sure the light can resist strong shock and impact.
- ◆ Intelligent control: the light is with two kinds of working modes:

strong light and working light, switch is controlled by intelligent chip, the strong light and weak light can be changed at random, single-chip control; with battery display and special protection circuit, with protection function of anti-over charging, over discharging and short circuit, reliably protect the battery and prolong the service life.

- ◆ Convenient and durable: unique lamp cap; lighting angle can be adjusted within the scope of -45° ~ 55° , no lighting dead angle (lighting range of strong light: 800m, effective distance: 300m, suitable for long-distance searching and lighting in large area of close range), light weight, portable type, horizontal type, hang type, magnetic absorption, etc, convenient to use; the switch is with anti-incorrect operation function.

Technical data

Searchlight HRD309E

Explosion protection	
Global (IECEX)	IECEX CQM 16.0008X
Gas and dust	Ex nA nR IIC T4 Gc
	Ex tb IIIC T80°C Db IP66
Europe (ATEX)	EPT 16 ATEX 2503X
Gas and dust	⊕ II 3 G Ex nA nR IIC T4 Gc
	⊕ II 2 D Ex tb IIIC T80°C Db IP66
Certificates	IECEX; ATEX
Conformity to standards	EN 60079-0, EN 60079-15, EN 60079-31
	IEC 60079-0, IEC 60079-15, IEC 60079-31
Rated voltage	14.8V
Rated capacity	4Ah
Lamp(LED)	
Rated power	9W / 3W
Average service life	100000h
Continuous working time	
Strong light	≥8h
Working light	≥18h
Charging time	≥8h
Charging voltage	100~240V AC, 50/60Hz
Service life of battery	about 1000 times cycling
Degree of protection	IP66
Weight	1.9kg

Zones 2; 21&22



Hand Lamps

BSX-60 Series Explosion-proof Incandescent Hand Lamps

- ◆ Explosion protection to
 - CENELEC
 - IEC
 - NEC
- ◆ Can be used in
 - Zone 1 and Zone 2
 - Class I, Zone 1 and Zone 2
 - Class I, Division 2, Groups A, B, C, D
- ◆ Incandescent lamps: Max. 60W
- ◆ Cable on request
- ◆ Handle in plastic, with control pushbutton
- ◆ Powder coated wire guard, white
- ◆ Toughened glass cover resistant to temperature changes
- ◆ Movable transformer on request (see P3/50~51)



Technical data

Explosion-proof incandescent hand lamps BSX-60

Explosion protection

Global (IECEx)	IECEx CQM 08.0015
Gas and dust	Ex d e IIC T4
Europe (ATEX)	LCIE 07 ATEX 6028
Gas and dust	Ⓔ II 2 G Ex d e IIC T4

Certificates

IECEx; ATEX; CU-TR

Conformity to standards

EN 60079-0, EN 60079-1, EN 60079-7
IEC 60079-0, IEC 60079-1, IEC 60079-7

Material

Enclosure	Copper-free Aluminium Alloy, powder coated surface, yellow (RAL1021)
Handle	Plastic, black
Wire guard	Stainless steel
Exposed fastener	Stainless steel

Lamp

Lamp holder	E27
Available lamp	Incandescent lamp: 25W, 40W, 60W; LED: 3W, 5W, 8W

Rated voltage

Max. 230V

Protection class

II (Protection against electric shock)

Degree of protection

IP65

Ambient temperature

-20°C~+55°C

Terminal

3 x 1.5~2.5mm² (L+N+PE)

Cable entries

1 x M25 x 1.5 cable gland (DQM-I Ex e, plastic)

Available cable outer diameter

Φ9~Φ16 (mm)

Weight

2.35kg



Zones 1&2