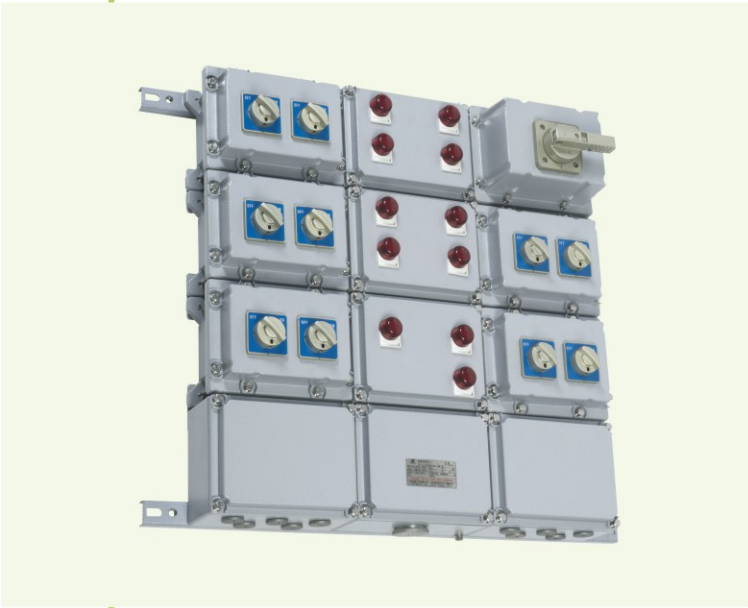


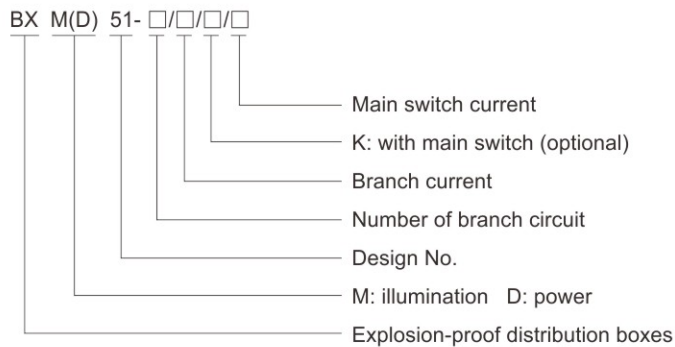
Distribution Boxes

BXM(D)51 Series Explosion-proof Illumination (Power) Distribution Boxes (Ex d e IIB)



- ◆ Explosion protection to
 - CENELEC
 - IEC
 - NEC
- ◆ Can be used in
 - Zone 1 and Zone 2
 - Zone 21 and Zone 22
 - Class I, Zone 1 and Zone 2
 - Class I, Division 2, Groups C, D
- ◆ Enclosure for modular combination (Ex d & Ex e).
- ◆ Main switch and branch switch are operated with external rotary actuator.
- ◆ Internal wiring to the terminal is finished.
- ◆ International brand of explosion-proof terminal blocks.
- ◆ Copper-free Aluminium Alloy, powder coated surface.
- ◆ Entries plugged. Cable glands on request (see P7/17~19).
- ◆ Special requirements on request.

■ Catalogue number logic



Zones 1&2; 21&22

Distribution Boxes

BXM51 Series Explosion-proof Illumination Distribution Boxes (Ex d e IIB)

Technical data


Explosion-proof illumination distribution boxes BXM51-□/□/□/□

Explosion protection

Global (IECEX) IECEx CQM 07.0012

Gas Ex d e IIB T6

Europe (ATEX) PTB 03 ATEX 1078

Gas  II 2 G Ex d e IIB T6

Certificates

IECEX; ATEX

Conformity to standards

EN 50014, EN 50018, EN 50019

IEC 60079-0, IEC 60079-1, IEC 60079-7

General power supply

Rated voltage: max. 415V AC 50/60Hz; Rated current: max.100A

Branch current

1A, 2A, 4A, 6A, 10A, 16A, 20A, 25A, 32A

Exposed fastener

Stainless steel

Enclosure

Enclosure material Copper-free Aluminium Alloy, powder coated surface

Enclosure colour Window grey (RAL7040)

Enclosure type Modular combination (Ex d & Ex e); MCB, MCCB or other components in Ex d compartment, explosion-proof indicators and terminals in Ex e compartment.

Built-in components

Main switch MCB (miniature circuit breaker) or MCCB (moulded case circuit breaker)

Note: earth leakage protection on request

Branch switch MCB (miniature circuit breaker) or MCCB (moulded case circuit breaker)

Note: earth leakage protection on request

Terminal International brand of explosion-proof terminal blocks

Indicator Red

Degree of protection

IP65

Internal&external earthing

M6/M8

Ambient temperature

-20°C~+55°C

Cable entries

Standard M□ x 1.5 plug (see the Selection table on P6/4)

Cable gland (optional)

DQM-I (Ex e) is recommended. Please see P7/17~19

Entry direction

Bottom

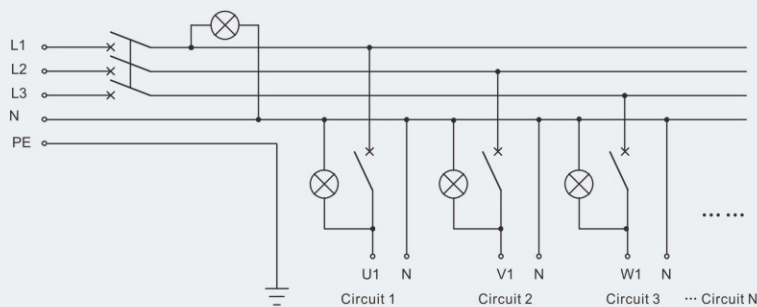
Mounting

Surface type (standard)

Pedestal type (optional)



Electrical schematic diagram



BXM51 Series explosion-proof illumination distribution boxes

Selection table of BXM 51 series explosion-proof illumination distribution boxes

Version	Description					Cable entries
	Main switch	Number of branch circuit	Branch switch	Branch current	Number of indicator	
BXM51-4/□/K/□	MCB or MCCB	4	MCB 1 P/2 P	1A 2A 4A 6A 10A 16A 20A 25A 32A On request	1+4	1 x M40 x 1.5 + 4 x M25 x 1.5
BXM51-6/□/K/□		6			1+6	1 x M40 x 1.5 + 6 x M25 x 1.5
BXM51-8/□/K/□		8			1+8	1 x M40 x 1.5 + 8 x M25 x 1.5
BXM51-10/□/K/□		10			1+10	1 x M40 x 1.5 + 10 x M25 x 1.5
BXM51-12/□/K/□		12			1+12	1 x M40 x 1.5 + 12 x M25 x 1.5
BXM51-4/□	—	4	MCB 1 P/2 P	1A 2A 4A 6A 10A 16A 20A 25A 32A On request	4	1 x M40 x 1.5 + 4 x M25 x 1.5
BXM51-6/□		6			6	1 x M40 x 1.5 + 6 x M25 x 1.5
BXM51-8/□		8			8	1 x M40 x 1.5 + 8 x M25 x 1.5
BXM51-10/□		10			10	1 x M40 x 1.5 + 10 x M25 x 1.5
BXM51-12/□		12			12	1 x M40 x 1.5 + 12 x M25 x 1.5

Note

1. Please specify the number and size of cable entries and sides of the enclosure to be fitted.
2. Electrical schematic diagram shall be provided by user. Photo switch, AC contactor, thermal relay or others on request.
3. Please specify mounting type when ordering.
4. Rainproof canopy on request.



Distribution Boxes

BXD51 Series Explosion-proof Power Distribution Boxes (Ex d e IIB)

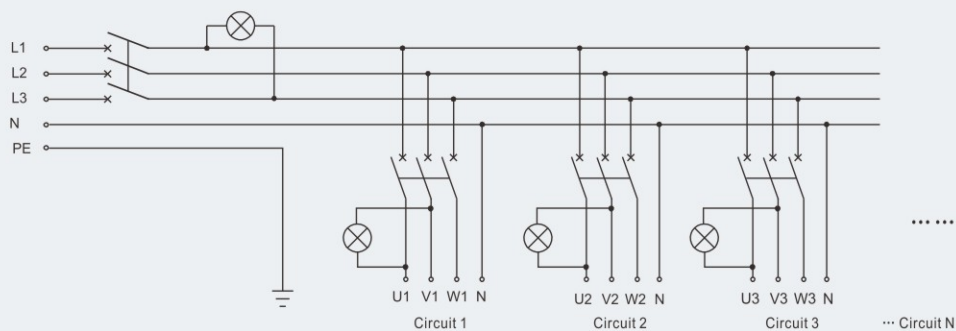
Technical data

Explosion-proof power distribution boxes BXD51-□/□/□/□

Explosion protection	
Global (IECEX)	IECEX CQM 07.0012
Gas	Ex d e IIB T6
Europe (ATEX)	PTB 03 ATEX 1078
Gas	⊕ II 2 G Ex d e IIB T6
Certificates	IECEX; ATEX
Conformity to standards	EN 50014, EN 50018, EN 50019 IEC 60079-0, IEC 60079-1, IEC 60079-7
General power supply	Rated voltage: max. 415V AC 50/60Hz; Rated current: max. 250A
Branch current	1A, 2A, 4A, 6A, 10A, 16A, 20A, 25A, 32A, 40A, 50A, 63A
Exposed fastener	Stainless steel
Enclosure	
Enclosure material	Copper-free Aluminium Alloy, powder coated surface
Enclosure colour	Window grey (RAL7040)
Enclosure type	Modular combination (Ex d & Ex e); MCB, MCCB or other components in Ex d compartment, explosion-proof indicators and terminals in Ex e compartment.
Built-in components	
Main switch	MCB (miniature circuit breaker) or MCCB (moulded case circuit breaker) Note: earth leakage protection on request
Branch switch	MCB (miniature circuit breaker) or MCCB (moulded case circuit breaker) Note: earth leakage protection on request
Terminal	International brand of explosion-proof terminal blocks
Indicator	Red
Degree of protection	IP65
Internal&external earthing	M6/M8
Ambient temperature	-20°C~+55°C
Cable entries	Standard M□ x 1.5 plug (see the Selection table on P6/6)
Cable gland (optional)	DQM-I (Ex e) is recommended. Please see P7/17~19
Entry direction	Bottom
Mounting	Surface type (standard) Pedestal type (optional)



Electrical schematic diagram



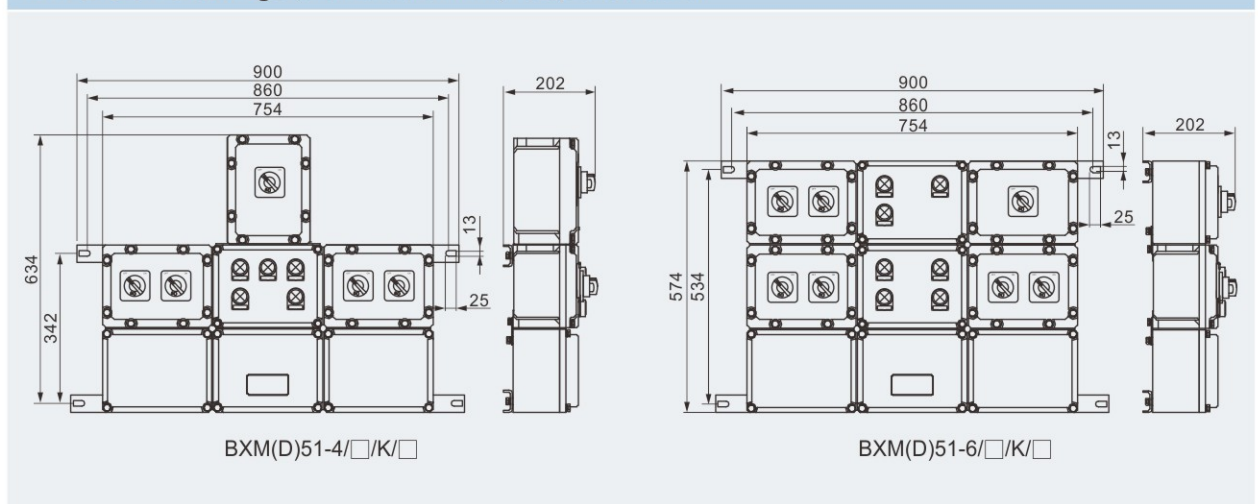
BXD51 Series explosion-proof power distribution boxes

Selection table of BXD51 series explosion-proof power distribution boxes

Version	Description					Cable entries
	Main switch	Number of branch circuit	Branch switch	Branch current	Number of indicator	
BXD51-4/□/K/□	MCB or MCCB	4	MCB 3P	1A	1+4	1 x M50 x 1.5 +
BXD51-6/□/K/□		6		2A		4 x M25 x 1.5
BXD51-8/□/K/□		8		4A	1+6	1 x M50 x 1.5 +
BXD51-10/□/K/□		10		6A		6 x M25 x 1.5
BXD51-12/□/K/□		12		10A		1 x M50 x 1.5 +
	Current: max. 250A		16A	1+8	8 x M25 x 1.5	
			20A	1+10	1 x M50 x 1.5 +	
			25A		10 x M25 x 1.5	
			32A	1+12	1 x M50 x 1.5 +	
			40A		12 x M25 x 1.5	
			50A	On request	1 x M50 x 1.5 +	
			63A		12 x M25 x 1.5	
BXD51-4/□	—	4	MCB 3P	1A	4	1 x M50 x 1.5 +
BXD51-6/□		6		2A		4 x M25 x 1.5
BXD51-8/□		8		4A	6	1 x M50 x 1.5 +
BXD51-10/□		10		6A		6 x M25 x 1.5
BXD51-12/□		12		10A		1 x M50 x 1.5 +
			16A	8	8 x M25 x 1.5	
			20A	10	1 x M50 x 1.5 +	
			25A		10 x M25 x 1.5	
			32A	12	1 x M50 x 1.5 +	
			40A		12 x M25 x 1.5	
			50A	On request	1 x M50 x 1.5 +	
			63A		12 x M25 x 1.5	

Note

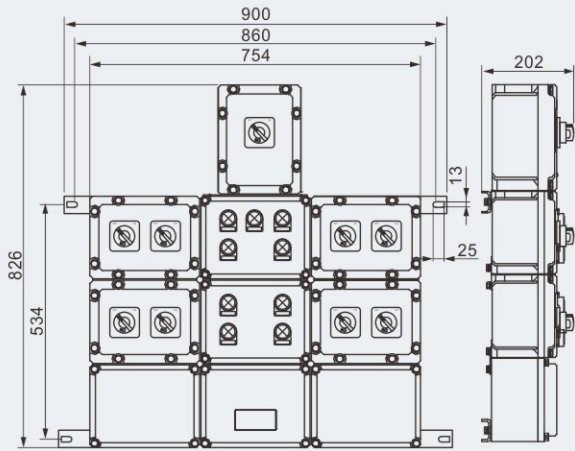
1. Please specify the number and size of cable entries and sides of the enclosure to be fitted.
2. Electrical schematic diagram shall be provided by user. Photo switch, AC contactor, thermal relay or others on request.
3. Please specify mounting type when ordering.
4. Rainproof canopy on request.

Dimension drawings (all dimensions in mm) - subject to alteration

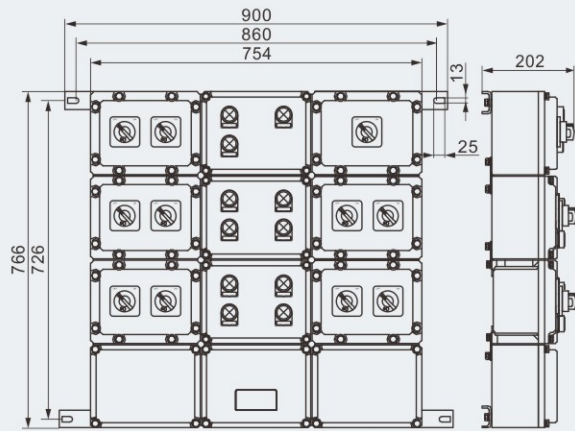
Distribution Boxes

BXM(D)51 Series Explosion-proof Illumination (Power) Distribution Boxes (Ex d e IIB)

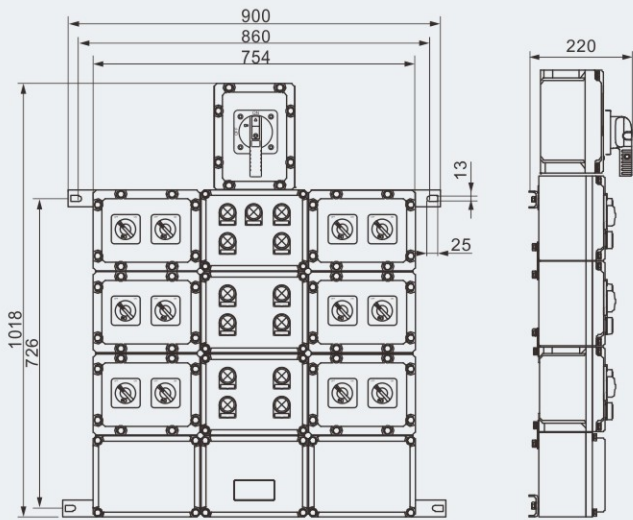
Dimension drawings (all dimensions in mm) - subject to alteration



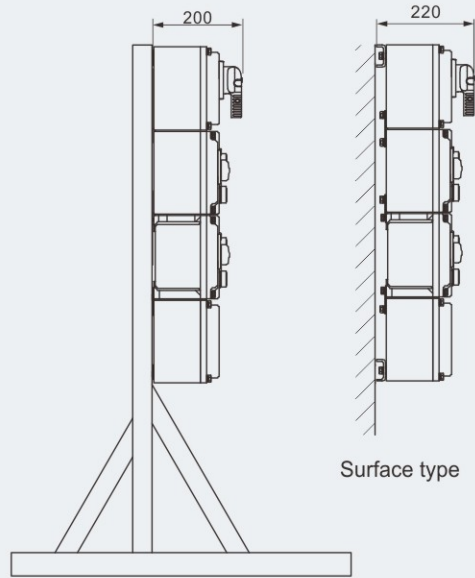
BXM(D)51-8/□/□/□



BXM(D)51-10/□/□/□

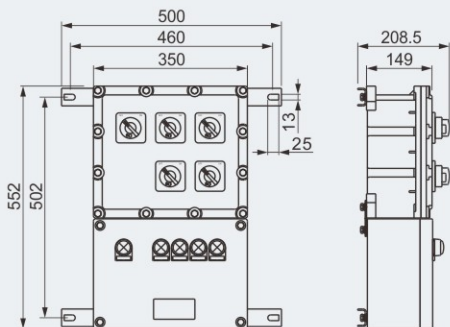


BXM(D)51-12/□/□/□

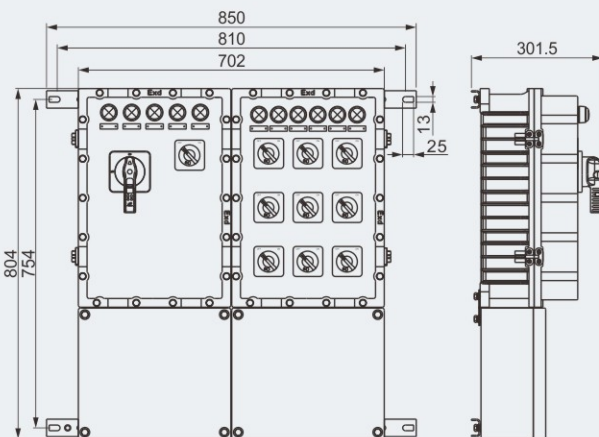


Pedestal type

Surface type



BXM(D)51-4/□/□/□



BXM(D)51-10/□/□/□

