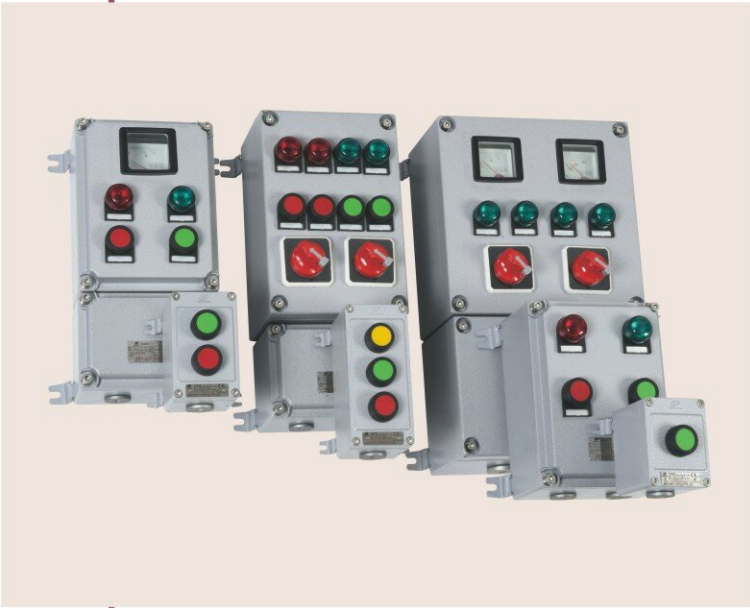


Control Stations

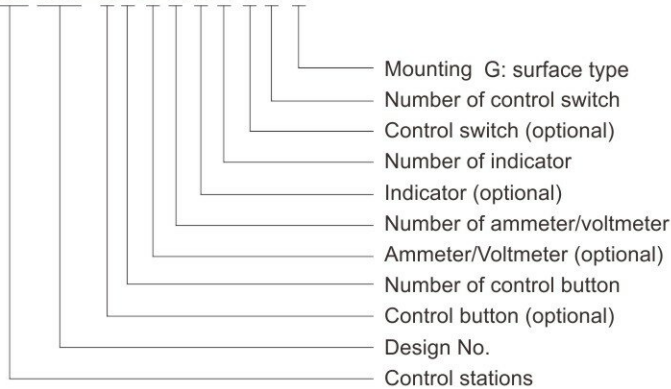
BZC8050 Series Control Stations (Aluminium Alloy)



- ◆ Explosion protection to
 - CENELEC
 - IEC
 - NEC
- ◆ Can be used in
 - Zone 1 and Zone 2
 - Zone 21 and Zone 22
 - Class I, Zone 1 and Zone 2
 - Class I, Division 2, Groups A, B, C, D
- ◆ Copper-free Aluminium Alloy enclosure, powder coated surface.
- ◆ Seven types of enclosure.

■ Catalogue number logic

BZC 8050 - A B D K



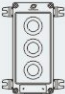
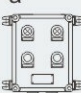
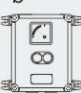
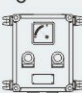


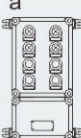





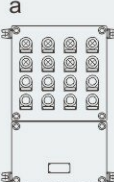
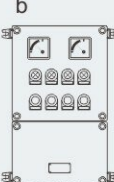
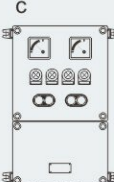
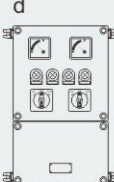


■ Note

1. Please refer to the Selection table on P4/33.
2. Please select internal components as below:
 - Selection table of BA8050 control button on P4/40~43 (Nominal contact is 1NO+1NC);
 - Selection table of BD8050 indicator on P4/44~46;
 - Selection table of BK8050 control switch on P4/47~52;
 - Selection table of BB8050 explosion-proof ammeter/voltmeter on P4/53~55;
3. Example: BZC8050-A2D2G
 - Components: Two control buttons, two indicators; surface type
 - Tech. Details: One control start button (40092B + 40090-1+40091-1, green, 1NO+1NC);
 - One control stop button (40092A+ 40090-1+40091-1, red, 1NO+1NC);
 - One indicator (40116+40100-2, green, 230V AC);
 - One indicator (40115+40099-2, red, 230V AC);
4. Special requirements on request.

Zones 1&2; 21&22

Control Stations BZC8050 Series Control Stations (Aluminium Alloy)

Selection table of control station BZC8050 (aluminium alloy)				
Enclosure type	Components arrangement	Cable entries and direction	Ordering code	Enclosure weight (kg)
I		1-M25 x 1.5 Bottom entry	40079	0.65
II		1-M25 x 1.5 Bottom entry	40080	0.85
III		1-M25 x 1.5 Bottom entry	40081	1.10
IV	    	2-M25 x 1.5 Bottom entry	40082.....	3.75
V	  	1-M32 x 1.5 or 2-M25 x 1.5 Bottom entry	40083.....	6.50
VI	  	1-M40 x 1.5 or 2-M32 x 1.5 or 4-M25 x 1.5 Bottom entry	40084.....	9.00
VII	   	1-M40 x 1.5 or 2-M32 x 1.5 or 6-M25 x 1.5 Bottom entry	40085.....	13.70



Control Stations

BZC8050 Series Control Stations (Aluminium Alloy)

Technical data

Control stations BZC8050 (aluminium alloy)

Explosion protection

Global (IECEX)	IECEX CQM 11. 0029
Gas	Ex d e IIC T6 Gb
Europe (ATEX)	LCIE 09 ATEX 3099
Gas and dust	⊕ II 2 G Ex d e IIC T6 Gb

Certificates

⊕ II 2 D Ex tb IIIC T80°C Db IP65
IECEX; ATEX; CU-TR

Conformity to standards

EN 60079-0, EN 60079-1, EN 60079-7, EN 60079-31
IEC 60079-0, IEC 60079-1, IEC 60079-7

Enclosure material

Copper-free Aluminium Alloy, powder coated surface

Enclosure colour

Window grey (RAL7040)

Exposed fastener

Stainless steel

Rated voltage

Max. 415V AC

Rated current

Main circuit current: 6A (for BZC8050-A2D2, BZC8050-A2B1)
16A (for BZC8050-K1)
10A (for others)

Degree of protection

IP65/IP66 (optional)

Ambient temperature

-20°C~+55°C

Internal&external earthing

I, II, III: M4/M4; IV, V, VI,VII: M6/M6

Components

1. Technical data of BA8050 control button on P4/40~43;
2. Technical data of BD8050 indicator on P4/44~46;
3. Technical data of BK8050 control switch on P4/47~52;
4. Technical data of BB8050 explosion-proof ammeter/voltmeter on P4/53~55;

Cable entries

M□ x 1.5 plug, please see the Selection table on P4/33

Cable gland (optional)

DQM-I (Ex e) is recommended. Please see P7/17~19

Mounting

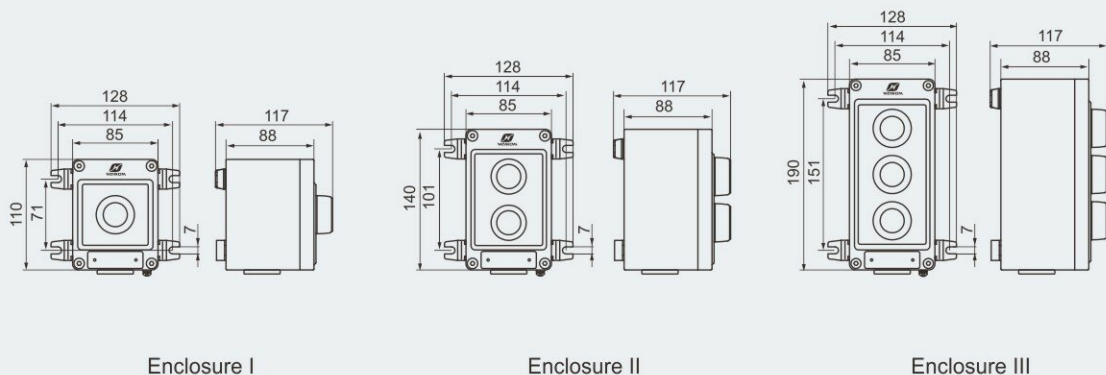
Surface type

Note

Please specify the number and size of entries (applicable for surface type only);

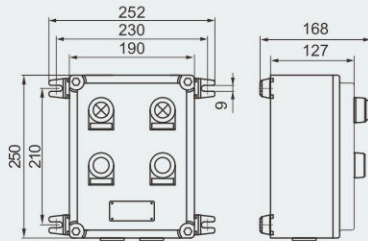


Dimension drawings (all dimensions in mm) - subject to alteration

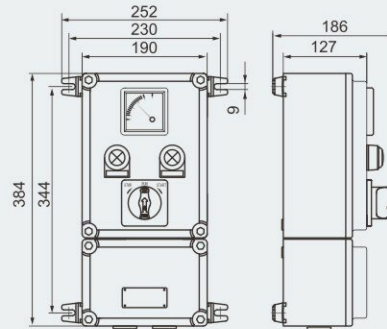


Control Stations BZC8050 Series Control Stations (Aluminium Alloy)

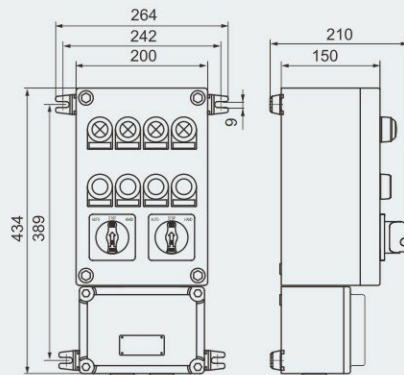
Dimension drawings (all dimensions in mm) - subject to alteration



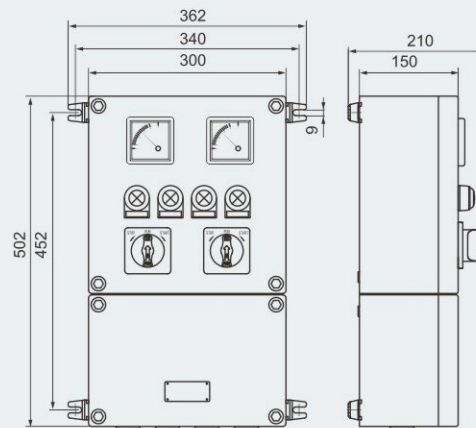
Enclosure IV



Enclosure V



Enclosure VI



Enclosure VII

