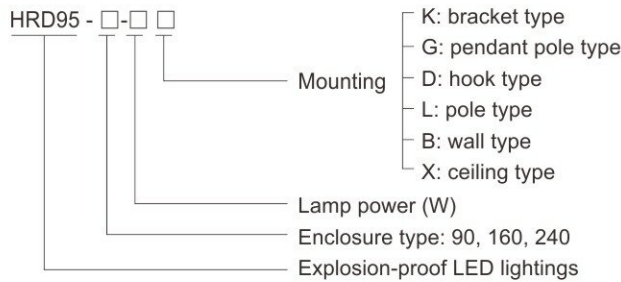


## LED Light Fittings HRD95 Series Explosion-proof LED Lightings



- ◆ Explosion protection to
  - CENELEC
  - IEC
  - NEC
- ◆ Can be used in
  - Zone 1 and Zone 2
  - Zone 21 and Zone 22
  - Class I, Zone 1 and Zone 2
  - Class I, Division 2, Groups A, B, C, D
- ◆ Three enclosure types: 90, 160, 240
- ◆ Applicable lamp and power (max.240W)  
LED: 60W, 90W, 120W, 160W, 200W, 240W
- ◆ Isolated LED lamp compartment, CC-CV (constant current - constant voltage) power controller compartment and terminal compartment; Wind-convection heat dissipation structure.
- ◆ International brand white light LED, reasonable arrangement of multi LED, high lighting efficiency and long service life.
- ◆ Two types of light distribution: spotlight and floodlight, which can be selected on request.
- ◆ Low-maintenance due to long service life is up to 100,000 operating hours.

### Catalogue number logic



### Selection table

Type / Ordering code	Lamp power(W)	Weight (kg)	Type / Ordering code	Lamp power(W)	Weight (kg)	Type / Ordering code	Lamp power(W)	Weight (kg)
HRD95-90-60K	60	9.80	HRD95-90-60D	60	9.50	HRD95-160-120B	120	13.50
HRD95-90-90K	90	9.80	HRD95-90-90D	90	9.50	HRD95-160-160B	160	13.50
HRD95-160-120K	120	12.70	HRD95-160-120D	120	11.75	HRD95-240-200B	200	26.60
HRD95-160-160K	160	12.70	HRD95-160-160D	160	11.75	HRD95-240-240B	240	26.60
HRD95-240-200K	200	27.50	HRD95-90-60L	60	9.30	HRD95-90-60X	60	9.20
HRD95-240-240K	240	27.50	HRD95-90-90L	90	9.30	HRD95-90-90X	90	9.20
HRD95-90-60G	60	10.75	HRD95-160-120L	120	12.00	HRD95-160-120X	120	11.75
HRD95-90-90G	90	10.75	HRD95-160-160L	160	12.00	HRD95-160-160X	160	11.75
HRD95-160-120G	120	13.05	HRD95-90-60B	60	11.00	HRD95-240-200X	200	24.80
HRD95-160-160G	160	13.05	HRD95-90-90B	90	11.00	HRD95-240-240X	240	24.80

**Note:** 1. The product is supplied according to "Type/Ordering code" in the table with mounting accessories.  
2. Two types of light distribution: spotlight and floodlight. The light fittings are supplied without lens. Lighting distribution is of floodlight. If required, please specify when ordering.

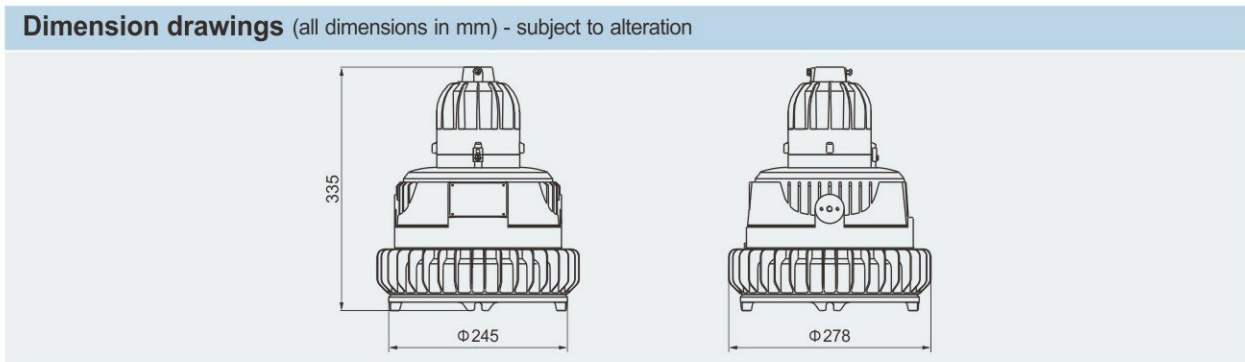
# Zones 1&2; 21&22

## LED Light Fittings HRD95 Series Explosion-proof LED Lightings

Technical data	
<b>Explosion-proof LED lightings HRD95-90-□□</b>	
<b>Explosion protection</b>	
Global (IECEX) Gas and dust	IECEX CNEX 18.0024 X Ex db op is IIC T□ <sup>1)</sup> Gb Ex tb op is IIIC T□ <sup>1)</sup> Db IP66
Europe (ATEX) Gas and dust	CNEX 18 ATEX 0020X ⊕ II 2 G Ex db op is IIC T□ <sup>1)</sup> Gb ⊕ II 2 D Ex tb op is IIIC T□ <sup>1)</sup> Db IP66 <sup>1)</sup> See Selection Table
<b>Certificates</b>	IECEX; ATEX; CU-TR
<b>Conformity to standards</b>	EN 60079-0, EN 60079-1, EN 60079-28, EN 60079-31 IEC 60079-0, IEC 60079-1, IEC 60079-28, IEC 60079-31
<b>Material</b>	
Enclosure	Copper-free aluminium alloy, powder coated surface, yellow (RAL1021)
Glass cover	Toughened glass, stands 4J impact
Exposed fastener	Stainless steel
LED driver	Wide voltage input, CC-CV (constant current - constant voltage) output, power factor ≥ 0.95, with function of distributed current, constant current, surge-proof and anti-electromagnetic interference, and protection against overcurrent, open circuit, and short circuit
<b>Lamp</b>	
Lamp specification	LED module, Multiple LED
Lamp power (W)	60W, 90W
Colour rendering index (Ra)	≥ 80
Colour temperature (CCT)	5700K Note: cool white is available in general. Warm white or nature white is optional, please specify when ordering.
<b>Rated voltage</b>	100~277V AC 50/60Hz, 130~250V DC
<b>Earthing protection</b>	M5 (internal & external earth bolts)
<b>Degree of protection</b>	IP66, IP67(optional)
<b>Ambient temperature</b>	-40°C~+55°C
<b>Terminal</b>	3 x 1.5~4mm <sup>2</sup> (L+N+PE)
<b>Mounting</b>	bracket type, hook type, pole type, pendant pole type, ceiling type
<b>Cable entries</b>	1 x M25 x 1.5 (hook type, pole type, pendant pole type) 2 x M25 x 1.5 (bracket type) 4 x M25 x 1.5 (wall type, ceiling type)
<b>Cable gland</b>	DQM-II (Ex d) or DQM-III (Ex d) is recommended. Please see P7/20~31



Rated power(W)	Temperature classification			
	-40°C ≤ Ta ≤ +40°C		-40°C ≤ Ta ≤ +55°C	
	Gas	Dust	Gas	Dust
60	71°C (T6)	71°C	86°C (T5)	86°C
90	82°C (T5)	82°C	97°C (T4)	97°C



## LED Light Fittings HRD95 Series Explosion-proof LED Lightings

### Technical data

#### Explosion-proof LED lightings HRD95-160-□□

##### Explosion protection

Global (IECEX)  
Gas and dust

IECEX CNEX 18.0024 X  
Ex db op is IIC T□<sup>1)</sup> Gb  
Ex tb op is IIIC T□<sup>1)</sup> Db IP66

Europe (ATEX)  
Gas and dust

CNEX 18 ATEX 0020X  
⊕ II 2 G Ex db op is IIC T□<sup>1)</sup> Gb  
⊕ II 2 D Ex tb op is IIIC T□<sup>1)</sup> Db IP66

<sup>1)</sup> See Selection Table

##### Certificates

##### Conformity to standards

IECEX; ATEX; CU-TR  
EN 60079-0, EN 60079-1, EN 60079-28, EN 60079-31  
IEC 60079-0, IEC 60079-1, IEC 60079-28, IEC 60079-31

##### Material

Enclosure  
Glass cover  
Exposed fastener  
LED driver

Copper-free aluminium alloy, powder coated surface, yellow (RAL1021)  
Toughened glass, stands 4J impact

Stainless steel

Wide voltage input, CC-CV (constant current - constant voltage) output, power factor ≥ 0.95, with function of distributed current, constant current, surge-proof and anti-electromagnetic interference, and protection against overcurrent, open circuit, and short circuit

##### Lamp

Lamp specification  
Lamp power (W)  
Colour rendering index (Ra)  
Colour temperature (CCT)

LED module, Multiple LED  
120W, 160W  
≥ 80  
5700K

Note: cool white is available in general. Warm white or nature white is optional, please specify when ordering.

##### Rated voltage

##### Earthing protection

##### Degree of protection

##### Ambient temperature

##### Terminal

##### Mounting

##### Cable entries

100~277V AC 50/60Hz, 130~250V DC

M5 (internal & external earth bolts)

IP66, IP67(optional)

-40°C~+55°C

3 x 1.5~4mm<sup>2</sup> (L+N+PE)

bracket type, hook type, pole type, pendant pole type, wall type, ceiling type

1 x M25 x 1.5 (hook type, pole type, pendant pole type)

2 x M25 x 1.5 (bracket type)

4 x M25 x 1.5 (wall type, ceiling type)

##### Cable gland

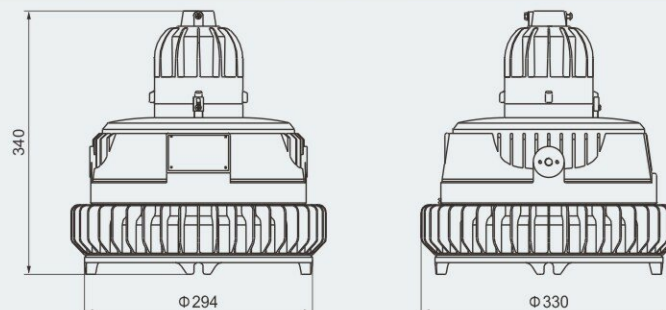
DQM-II (Ex d) or DQM-III (Ex d) is recommended. Please see P7/20~31



### Selection table

Rated power(W)	Temperature classification			
	-40°C ≤ Ta ≤ +40°C		-40°C ≤ Ta ≤ +55°C	
	Gas	Dust	Gas	Dust
120	76°C (T6)	76°C	91°C (T5)	91°C
160	93°C (T4)	93°C	108°C (T4)	108°C

### Dimension drawings (all dimensions in mm) - subject to alteration



## LED Light Fittings HRD95 Series Explosion-proof LED Lightings

### Technical data

#### Explosion-proof LED lightings HRD95-240-□□

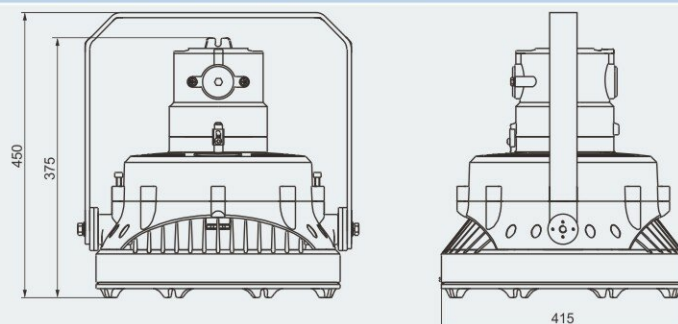
<b>Explosion protection</b>	
Global (IECEX)	IECEX CNEX 18.0024 X
Gas and dust	Ex db op is IIC T□ <sup>1)</sup> Gb Ex tb op is IIIC T□ <sup>1)</sup> Db IP66
Europe (ATEX)	CNEX 18 ATEX 0020X
Gas and dust	⊕ II 2 G Ex db op is IIC T□ <sup>1)</sup> Gb ⊕ II 2 D Ex tb op is IIIC T□ <sup>1)</sup> Db IP66
<b>Certificates</b>	<sup>1)</sup> See Selection Table
<b>Conformity to standards</b>	IECEX; ATEX; CU-TR EN 60079-0, EN 60079-1, EN 60079-28, EN 60079-31 IEC 60079-0, IEC 60079-1, IEC 60079-28, IEC 60079-31
<b>Material</b>	
Enclosure	Copper-free aluminium alloy, powder coated surface, yellow (RAL1021)
Glass cover	Toughened glass, stands 4J impact
Exposed fastener	Stainless steel
LED driver	Wide voltage input, CC-CV (constant current - constant voltage) output, power factor ≥ 0.95, with function of distributed current, constant current, surge-proof and anti-electromagnetic interference, and protection against overcurrent, open circuit, and short circuit
<b>Lamp</b>	
Lamp specification	LED module, Multiple LED
Lamp power (W)	200W, 240W
Colour rendering index (Ra)	≥ 80
Colour temperature (CCT)	5700K Note: cool white is available in general. Warm white or nature white is optional, please specify when ordering.
<b>Rated voltage</b>	100~277V AC 50/60Hz, 130~250V DC
<b>Earthing protection</b>	M5 (internal & external earth bolts)
<b>Degree of protection</b>	IP66, IP67(optional)
<b>Ambient temperature</b>	-40°C~+55°C
<b>Terminal</b>	3 x 1.5~4mm <sup>2</sup> (L+N+PE)
<b>Mounting</b>	bracket type, wall type, ceiling type
<b>Cable entries</b>	2 x M25 x 1.5 (bracket type) 4 x M25 x 1.5 (wall type, ceiling type)
<b>Cable gland</b>	DQM-II (Ex d) or DQM-III (Ex d) is recommended. Please see P7/20~31



### Selection table

Rated power(W)	Temperature classification			
	-40°C ≤ Ta ≤ +40°C		-40°C ≤ Ta ≤ +55°C	
	Gas	Dust	Gas	Dust
200	81°C (T5)	81°C	96°C (T4)	96°C
240	99°C (T4)	99°C	114°C (T4)	114°C

### Dimension drawings (all dimensions in mm) - subject to alteration



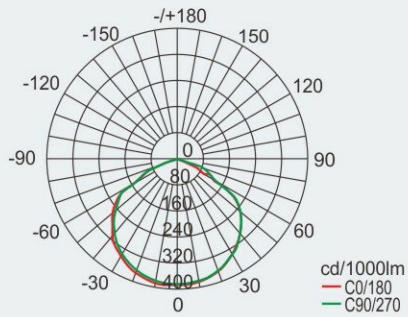
## LED Light Fittings HRD95 Series Explosion-proof LED Lightings

**Photometric data** Note: LED luminous flux is from the standard product of which colour temperature is 5700K (cool white).

### HRD95-90-□□

Lamp power (W)	Luminous flux	Wattage	Luminous efficacy
60	6285lm	61W	103lm/W
90	9190lm	91W	101lm/W

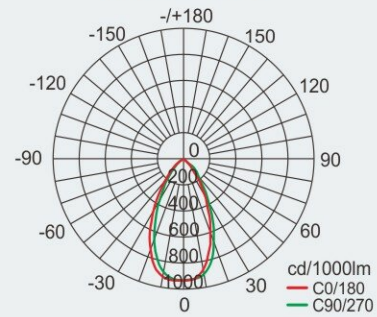
(Standard products without lens)



### HRD95-90-□□

Lamp power (W)	Luminous flux	Wattage	Luminous efficacy
60	6285lm	61W	103lm/W
90	9190lm	91W	101lm/W

(With 60° lens)

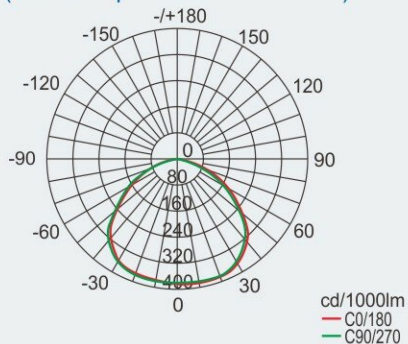


Note: Lens of 40° and 25° can be provided on request.

### HRD95-160-□□

Lamp power (W)	Luminous flux	Wattage	Luminous efficacy
120	12340lm	121W	102lm/W
160	16580lm	161W	103lm/W

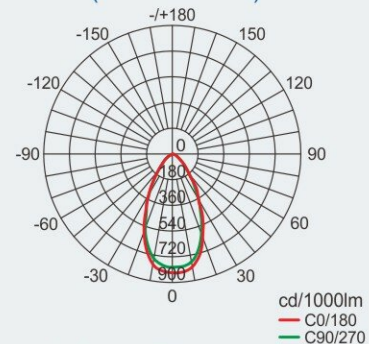
(Standard products without lens)



### HRD95-160-□□

Lamp power (W)	Luminous flux	Wattage	Luminous efficacy
120	12340lm	121W	102lm/W
160	16580lm	161W	103lm/W

(With 60° lens)

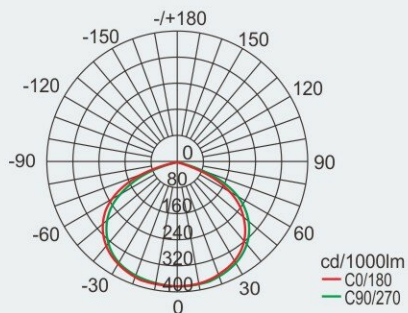


Note: Lens of 40° and 25° can be provided on request.

### HRD95-240-□□

Lamp power (W)	Luminous flux	Wattage	Luminous efficacy
200	20300lm	201W	101lm/W
240	24582lm	241W	102lm/W

(Standard products without lens)

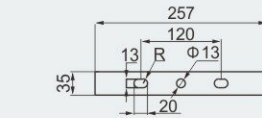
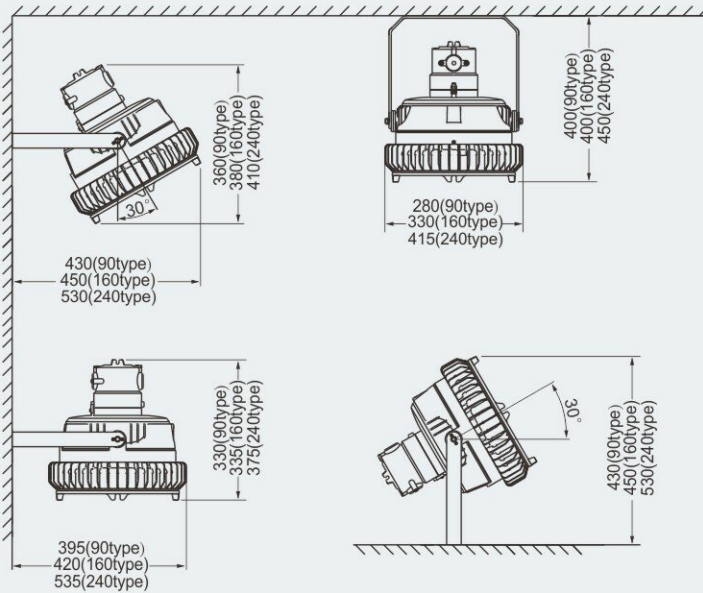


We can provide lighting design and data by professional lighting software DIALUX based upon simulated site situation on request.

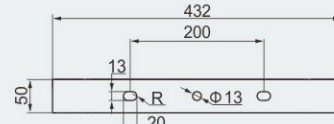
## LED Light Fittings HRD95 Series Explosion-proof LED Lightings

### Mounting type (all dimensions in mm) - subject to alteration

#### K: bracket type



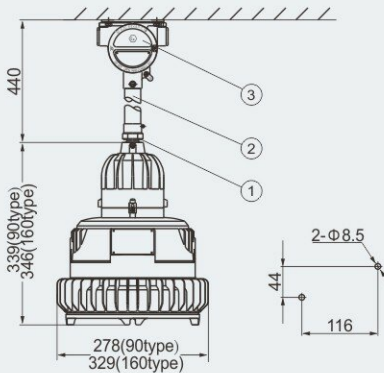
Bracket mounting dimension of 90type, 160type



Bracket mounting dimension of 240type

#### G: pendant pole type

Note: pendant pole type is unavailable to 240 type.

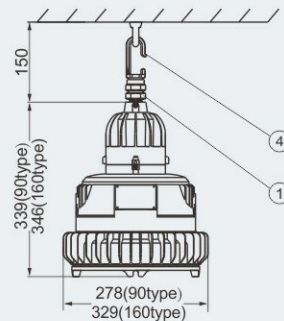


Accessories supplied with the light fittings:

- ①. BGJ-III explosion-proof connector M25×1.5(M)/M25×1.5(F), Stainless steel.
- ②. Straight pipe (M25 x 1.5), length: 300mm.
- ③. BHD51-F (for 90 type and 160 type: Copper-free Aluminium Alloy), see P3/4.

#### D: hook type

Note: hook type is unavailable to 240 type.

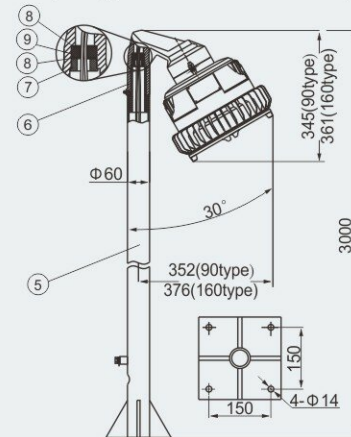


Accessories supplied with the light fittings:

- ①. BGJ-III explosion-proof connector M25×1.5 (M)/M25×1.5(F), Stainless steel.
- ④. Hook (Stainless steel).

#### L: pole type

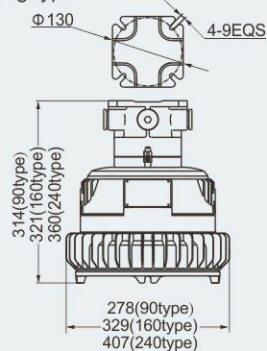
Note: pole type is unavailable to 240 type.



Accessories supplied with the light fittings:

- ⑤. Pole (shall be provided by user).
- ⑥. Outlet sleeve.
- ⑦. Locking bolt.
- ⑧. Washer.
- ⑨. Sealing ring

#### X: ceiling type



#### B: wall type

