

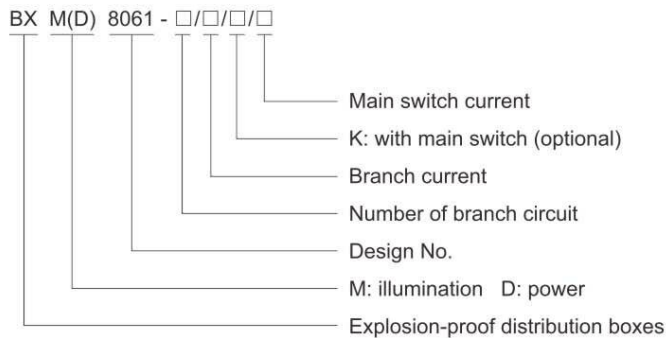
Distribution Boxes

BXM(D)8061 Series Explosion-proof Illumination (Power) Distribution Boxes (Ex db eb IIC)



- ◆ Explosion protection to
 - CENELEC
 - IEC
 - NEC
- ◆ Can be used in
 - Zone 1 and Zone 2
 - Zone 21 and Zone 22
 - Class I, Zone 1 and Zone 2
 - Class I, Division 2, Groups A , B, C, D
- ◆ Enclosure for modular combination (Ex e).
- ◆ Main switch and branch switch are operated with external rotary actuator.
- ◆ Internal wiring to the terminal is finished.
- ◆ International brand of explosion-proof terminal blocks.
- ◆ Enclosure: stainless steel.
- ◆ Entries plugged. Cable glands on request (see P7/16).
- ◆ Special requirements on request.

Catalogue number logic



Note

1. Please refer to the Selection table on P6/57.
2. Please select internal components as below:
 - BL8060 Series explosion-proof circuit breaker modules on P6/58–62
 - BRT8060 Series explosion-proof fuses on P6/63

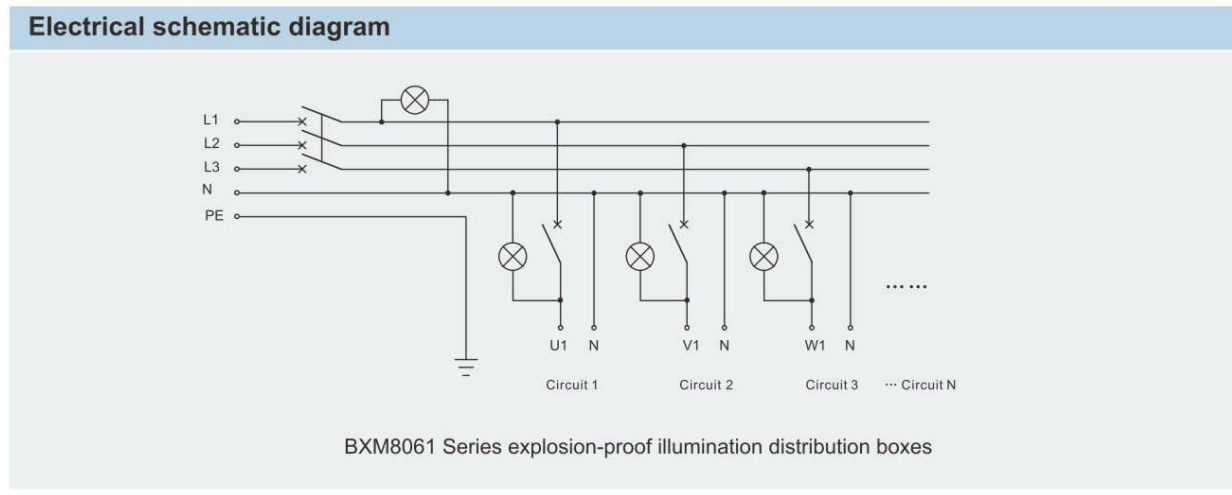


Zones 1&2; 21&22

Distribution Boxes

BXM8061 Series Explosion-proof Illumination Distribution Boxes (Ex db eb IIC)

| Technical data | |
|-------------------------------------------------|--------------------------------------------------------------------------------------------------------|
| Explosion-proof illumination distribution boxes | BXM8061-□/□/□/□ |
| Explosion protection | |
| Global (IECEX) | IECEX (applied for) |
| Gas and dust | Ex db eb IIC T5 or T4 Gb Ex tb IIIC T80°C Db IP66 |
| Europe (ATEX) | ATEX (applied for) |
| Gas and dust | ⊕ II 2 G Ex db eb IIC T5 or T4 Gb ⊕ II 2 D Ex tb IIIC T80°C Db IP66 |
| Certificates | IECEX; ATEX |
| Conformity to standards | EN 60079-0, EN 60079-1, EN 60079-7, EN 60079-31 IEC 60079-0, IEC 60079-1, IEC 60079-7, IEC 60079-31 |
| General power supply | Rated voltage: Max. 690V AC 50/60Hz; Rated current: max.100A |
| Branch current | 1A, 2A, 4A, 6A, 10A, 16A, 20A, 25A, 32A |
| Exposed fastener | Stainless steel |
| Enclosure | |
| Enclosure material | Stainless steel |
| Enclosure type | Ex e |
| Built-in components | |
| Main switch | BL8060 Please see P6/58 Note: earth leakage protection on request |
| Branch switch | BL8060 Please see P6/58 Note: earth leakage protection on request |
| Terminal | International brand of explosion-proof terminal blocks |
| Indicator | Red |
| Degree of protection | IP66 |
| Ambient temperature | T5 for Tamb: -20°C~+40°C, T4/T80°C for Tamb: -20°C~+55°C |
| Cable entries | Standard M□ x 1.5 plug (see the Selection Table on P6/54) |
| Cable gland (optional) | DQM-I (Ex e) is recommended. Please see P7/16 |
| Entry direction | Bottom |
| Mounting | Surface type (standard) |



Distribution Boxes

BXM8061 Series Explosion-proof Illumination Distribution Boxes (Ex db eb IIC)

Selection table of BXM8061 series explosion-proof illumination distribution boxes

| Version | Description | | | | | Cable entries |
|------------------|-------------|--------------------------|-----------------|-----------------------------------------------------------------------|---------------------|--------------------------------------|
| | Main switch | Number of branch circuit | Branch switch | Branch current | Number of indicator | |
| BXM8061-4/□/K/□ | BL8060 | 4 | BL8060 1P/2P | 1A 2A 4A 6A 10A 16A 20A 25A 32A On request | 3 | 1 x M40 x 1.5 + 4 x M25 x 1.5 |
| BXM8061-6/□/K/□ | | 6 | | | 3 | 1 x M40 x 1.5 + 6 x M25 x 1.5 |
| BXM8061-8/□/K/□ | | 8 | | | 3 | 1 x M40 x 1.5 + 8 x M25 x 1.5 |
| BXM8061-10/□/K/□ | | 10 | | | 3 | 1 x M40 x 1.5 + 10 x M25 x 1.5 |
| BXM8061-12/□/K/□ | | 12 | | | 3 | 1 x M40 x 1.5 + 12 x M25 x 1.5 |
| BXM8061-4/□ | — | 4 | BL8060 1P/2P | 1A 2A 4A 6A 10A 16A 20A 25A 32A On request | 3 | 1 x M40 x 1.5 + 4 x M25 x 1.5 |
| BXM8061-6/□ | | 6 | | | 3 | 1 x M40 x 1.5 + 6 x M25 x 1.5 |
| BXM8061-8/□ | | 8 | | | 3 | 1 x M40 x 1.5 + 8 x M25 x 1.5 |
| BXM8061-10/□ | | 10 | | | 3 | 1 x M40 x 1.5 + 10 x M25 x 1.5 |
| BXM8061-12/□ | | 12 | | | 3 | 1 x M40 x 1.5 + 12 x M25 x 1.5 |

Note

1. Please specify the number and size of cable entries and sides of the enclosure to be fitted.
2. Electrical schematic diagram shall be provided by user. Photo switch, AC contactor, thermal relay or others on request.
3. Please specify mounting type when ordering.
4. Rainproof canopy on request.



Distribution Boxes

BXD8061 Series Explosion-proof Power Distribution Boxes (Ex db eb IIC)

Technical data

Explosion-proof power distribution boxes BXD8061-□/□/□/□

Explosion protection

| | |
|----------------|------------------------------------------------------------------------|
| Global (IECEX) | IECEX (applied for) |
| Gas and dust | Ex db eb IIC T5 or T4 Gb Ex tb IIIC T80°C Db IP66 |
| Europe (ATEX) | ATEX (applied for) |
| Gas and dust | ⊕ II 2 G Ex db eb IIC T5 or T4 Gb ⊕ II 2 D Ex tb IIIC T80°C Db IP66 |

Certificates

IECEX; ATEX

Conformity to standards

EN 60079-0, EN 60079-1, EN 60079-7, EN 60079-31
 IEC 60079-0, IEC 60079-1, IEC 60079-7, IEC 60079-31

General power supply

Rated voltage: Max.690V AC 50/60Hz; Rated current: max.250A

Branch current

1A, 2A, 4A, 6A, 10A, 16A, 20A, 25A, 32A, 40A, 50A, 63A

Exposed fastener

Stainless steel

Enclosure

| | |
|--------------------|-----------------|
| Enclosure material | Stainless steel |
| Enclosure type | Ex e |

Built-in components

| | |
|---------------|----------------------------------------------------------------------|
| Main switch | BL8060 Please see P6/58 Note: earth leakage protection on request |
| Branch switch | BL8060 Please see P6/58 Note: earth leakage protection on request |
| Terminal | International brand of explosion-proof terminal blocks |
| Indicator | Red |

Degree of protection

IP66

Ambient temperature

T5 for Tamb: -20°C~+40°C, T4/T80°C for Tamb: -20°C~+55°C

Cable entries

Standard M□ x 1.5 plug (see the Selection table on P6/56)

Cable gland (optional)

DQM-I (Ex e) is recommended. Please see P7/16

Entry direction

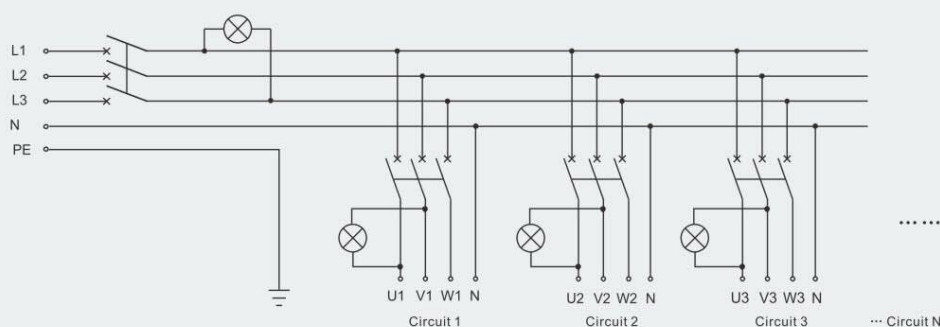
Bottom

Mounting

Surface type (standard)



Electrical schematic diagram



BXD8061 Series explosion-proof power distribution boxes

Distribution Boxes

BXD8061 Series Explosion-proof Power Distribution Boxes (Ex db eb IIC)

Selection table of BXD8061 series explosion-proof power distribution boxes

| Version | Description | | | | | Cable entries | |
|------------------|--------------------------|--------------------------|---------------|----------------|---------------------|--------------------------------------|-------------------------------------|
| | Main switch | Number of branch circuit | Branch switch | Branch current | Number of indicator | | |
| BXD8061-4/□/□/□ | BL8060 | 4 | BL8060 3P | 1A | 3 | 1 x M50 x 1.5 + 4 x M25 x 1.5 | |
| BXD8061-6/□/□/□ | | 6 | | 2A | | 3 | 1 x M50 x 1.5 + 6 x M25 x 1.5 |
| BXD8061-8/□/□/□ | | 8 | | 4A | 3 | | 1 x M50 x 1.5 + 8 x M25 x 1.5 |
| BXD8061-10/□/□/□ | | 10 | | 6A | | | 3 |
| BXD8061-12/□/□/□ | | 12 | | 10A | 3 | 1 x M50 x 1.5 + 12 x M25 x 1.5 | |
| BXD8061-4/□ | Current: max. 250A | 4 | BL8060 3P | 16A | 3 | 1 x M50 x 1.5 + 4 x M25 x 1.5 | |
| BXD8061-6/□ | | 6 | | 20A | | 3 | 1 x M50 x 1.5 + 6 x M25 x 1.5 |
| BXD8061-8/□ | | 8 | | 25A | 3 | | 1 x M50 x 1.5 + 8 x M25 x 1.5 |
| BXD8061-10/□ | | 10 | | 32A | | | 3 |
| BXD8061-12/□ | | 12 | | 40A | 3 | 1 x M50 x 1.5 + 12 x M25 x 1.5 | |
| BXD8061-4/□ | — | 4 | BL8060 3P | 50A | 3 | 1 x M50 x 1.5 + 4 x M25 x 1.5 | |
| BXD8061-6/□ | | 6 | | 63A | | 3 | 1 x M50 x 1.5 + 6 x M25 x 1.5 |
| BXD8061-8/□ | | 8 | | On request | 3 | | 1 x M50 x 1.5 + 8 x M25 x 1.5 |
| BXD8061-10/□ | | 10 | | On request | | | 3 |
| BXD8061-12/□ | | 12 | | On request | 3 | 1 x M50 x 1.5 + 12 x M25 x 1.5 | |

Note

1. Please specify the number and size of cable entries and sides of the enclosure to be fitted.
2. Electrical schematic diagram shall be provided by user. Photo switch, AC contactor, thermal relay or others on request.
3. Please specify mounting type when ordering.
4. Rainproof canopy on request.



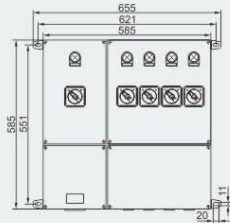
Distribution Boxes

BXM(D)8061 Series Explosion-proof Illumination (Power) Distribution Boxes (Ex db eb IIC)

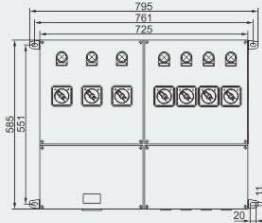
Dimension drawings (all dimensions in mm) - subject to alteration

Note: The following drawings are suitable for:

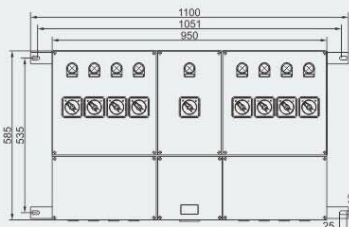
BXM(D)8061 main switch: 63A, branch switch (3P/2P/1P) without earth leakage protection.



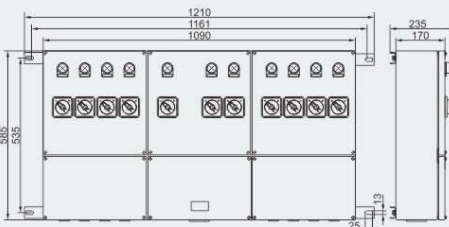
BXM(D)8061-4K



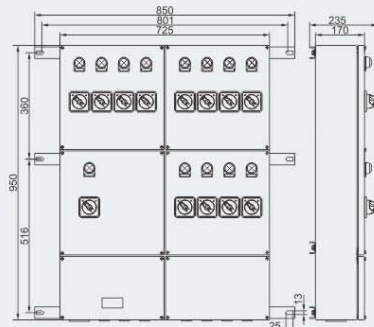
BXM(D)8061-6K



BXM(D)8061-8K



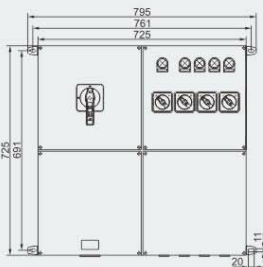
BXM(D)8061-10K



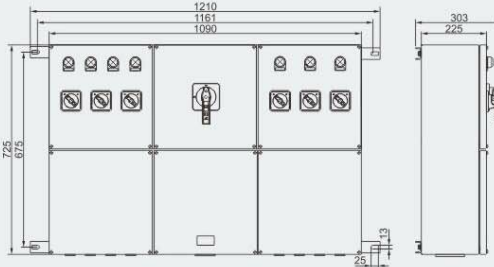
BXM(D)8061-12K

Note: The following drawings are suitable for:

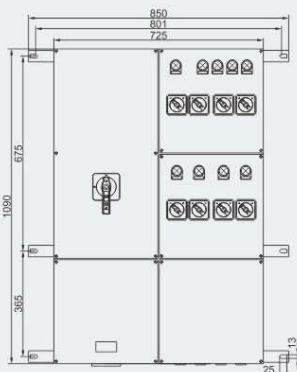
BXM(D)8061 main switch: 80A~250A, branch switch (3P/2P/1P) without earth leakage protection.



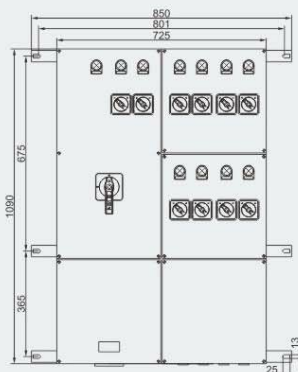
BXM(D)8061-4K



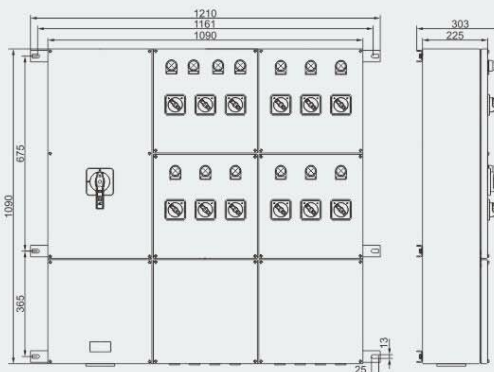
BXM(D)8061-6K



BXM(D)8061-8K



BXM(D)8061-10K



BXM(D)8061-12K

