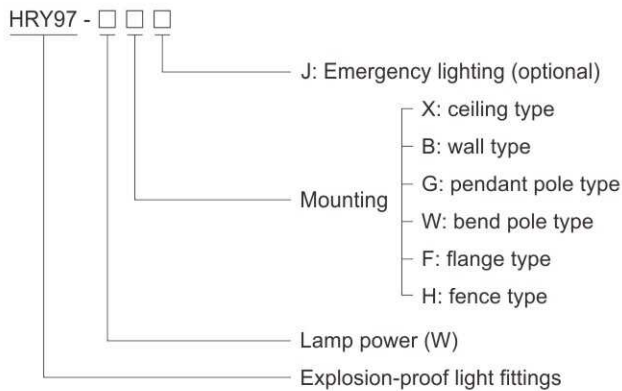


## Light Fittings for Fluorescent Lamp HRY97 Series Explosion-proof High Efficiency Energy-saving LED Lamps

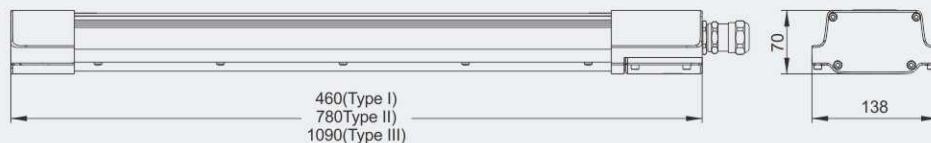


- ◆ Explosion Protection to
  - CENELEC
  - IEC
  - NEC
- ◆ Can be used in
  - Zone 1 and Zone 2
  - Zone 21 and Zone 22
  - Class I, Zone 1 and Zone 2
  - Class I, Division 1, Groups B, C, D
- ◆ Three enclosure types: Type I, Type II and Type III
  - Available lamp and power
  - Type I: 20W
  - Type II: 40W
  - Type III: 60W
- ◆ Enclosure in Copper-free Aluminium Alloy, powder coated surface, yellow (RAL1021).
- ◆ Built-in LED driver, wide voltage input, CC-CV (constant current - constant voltage) output, power factor $\geq$ 0.95.
- ◆ End of lamp life (EOL) rectification effect protection.
- ◆ The 40W lamps can be equipped with emergency device. The emergency time is divided into 90min and 180min options. No special instructions is 90min.

### Catalogue number logic



### Dimension drawings (all dimensions in mm) - subject to alteration



## Zones 1&2; 21&22

## Light Fittings for Fluorescent Lamp

### HR97 Series Explosion-proof High Efficiency Energy-saving LED Lamps

#### Technical data

#### Explosion-proof high efficiency energy-saving LED lamps HRY97-□□□

<b>Explosion protection</b>	
Global (IECEX)	IECEX (applied for)
Gas and dust	Ex db eb mb IIC T6 Gb Ex tb IIIC T80°C Db
Europe (ATEX)	ATEX (applied for)
Gas and dust	⊕ II 2 G Ex db eb mb IIC T6 Gb ⊕ II 2 D Ex tb IIIC T80°C Db
<b>Certificates</b>	IECEX; ATEX; CU-TR
<b>Conformity to standards</b>	EN 60079-0, EN 60079-1, EN 60079-7, EN 60079-18, EN 60079-31, IEC 60079-0, IEC 60079-1, IEC 60079-7, IEC 60079-18, IEC 60079-31
<b>Material</b>	
Enclosure	Copper-free Aluminium Alloy, powder coated surface, yellow (RAL1021)
Diffuser	Polycarbonate, stands 4J impact
LED driver	Wide voltage input, CC-CV (constant current - constant voltage) output, with function of distributed current, constant current, surge-proof and anti-electromagnetic interference, and protection against overcurrent, open circuit, and short circuit.
Exposed fastener	Stainless steel
<b>Lamp</b>	
Lamp specification	LED module (supplied with the light fittings)
Lamp power (W)	20W, 40W, 60W
Colour rendering index (Ra)	≥ 80
LED Colour temperature (CCT)	5000K Note: nature white is available in general. Warm white or cool white is optional, please specify when ordering.
<b>Rated voltage</b>	100-277V AC 50/60Hz 130~250V DC
<b>Earthing protection</b>	M4 (internal & external earth bolts)
<b>Degree of protection</b>	IP66
<b>Ambient temperature</b>	-40°C~+60°C
<b>Terminal</b>	3 x 1.5~4mm <sup>2</sup> (L+N+PE)
<b>Cable entries</b>	1 x M25 x 1.5 plugs+1 x M25 x 1.5 cable gland (DQM-I, Stainless steel)
<b>Emergency data</b>	
Emergency unit	Special emergency controller and battery pile, with protection against overcharge and overdischarge
Emergency power (W)	40W x 30%
Emergency starting time	0.3s
Charging time	24h
Emergency lighting time	90min (180min is optional)



#### Selection table

Type / Ordering code	Lamp power(W)	Weight (kg)	Type / Ordering code	Lamp power(W)	Weight (kg)	Type / Ordering code	Lamp power(W)	Weight (kg)	Type / Ordering code	Lamp power(W)	Weight (kg)
HR97-20X	20	2.90	HR97-40X	40	4.70	HR97-60X	60	5.50	HR97-40XJ	40	5.70
HR97-20G	20	3.90	HR97-40G	40	5.70	HR97-60G	60	6.50	HR97-40GJ	40	6.70
HR97-20B	20	3.30	HR97-40B	40	5.10	HR97-60B	60	5.90	HR97-40BJ	40	6.10
HR97-20W	20	3.00	HR97-40W	40	4.80	HR97-60W	60	5.60	HR97-40WJ	40	5.80
HR97-20H	20	3.00	HR97-40H	40	4.80	HR97-60H	60	5.60	HR97-40HJ	40	5.80
HR97-20F	20	3.00	HR97-40F	40	4.80	HR97-60F	60	5.60	HR97-40FJ	40	5.80

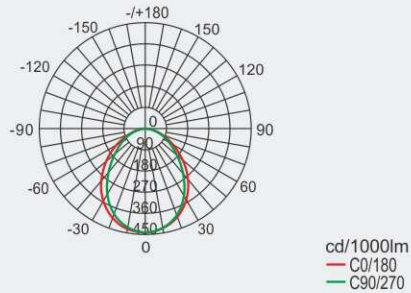
**Note:** 1. Products above include all the mounting accessories listed in Mounting Accessories & Spare Parts Table (see P2/41).

## Light Fittings for Fluorescent Lamp HRY97 Series Explosion-proof High Efficiency Energy-saving LED Lamps

**Photometric data** Note: LED luminous flux is from the standard product of which colour temperature is 5000K

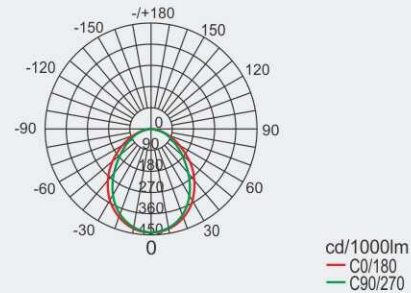
### HRY97-20□□

Lamp power (W)	Luminous flux	Wattage
LED 20	2500lm	20W



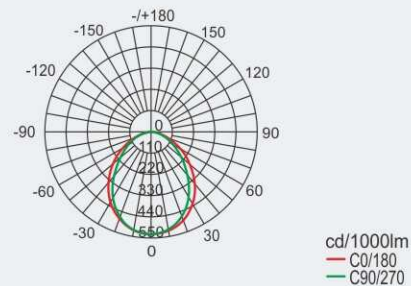
### HRY97-40□□

Lamp power (W)	Luminous flux	Wattage
LED 40	5300lm	40W



### HRY97-60□□

Lamp power (W)	Luminous flux	Wattage
LED 60	7500lm	60W



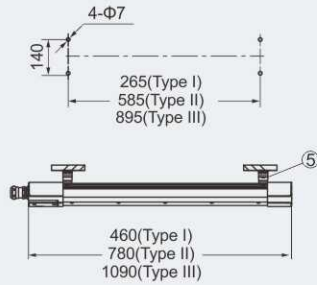
We can provide lighting design and data by professional lighting software DIALUX based upon simulated site situation on request.

## Light Fittings for Fluorescent Lamp HRY97 Series Explosion-proof High Efficiency Energy-saving LED Lamps

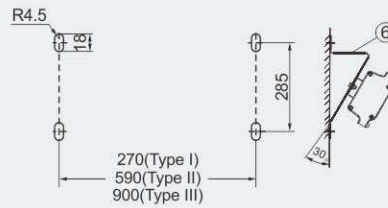
### Mounting type (all dimensions in mm) - subject to alteration

#### Installation reference

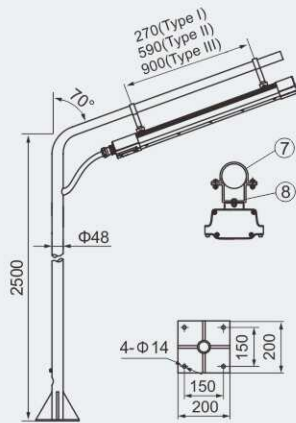
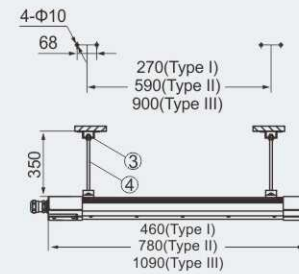
X: ceiling type



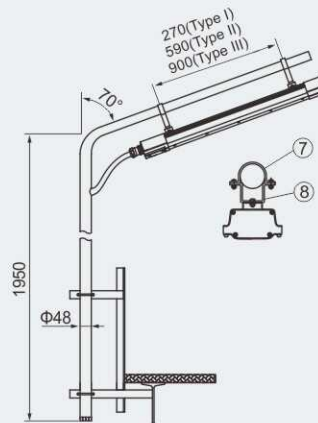
B: wall type



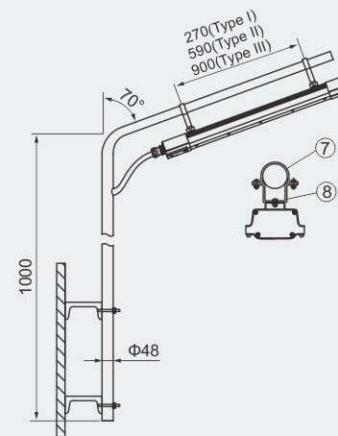
G: pendant pole type



F: flange type



H: fence type



W: bend pole type



### Mounting Accessories & Spare Parts Table

Supplied according to the mounting type

Mounting type	Accessories			Ordering code	Weight (kg)
	Name	Qty	Illustration		
G: pendant pole type	③.Mounting bracket	2	Stainless steel, see P2/6	51S01G1	0.04
	④.M8 Screw	2	Stainless steel, length: 350mm	51S01G2	0.12
X: ceiling type	⑤.Mounting bracket	2	Stainless steel	5136015	0.20
B: wall type	⑥.Wall bracket	2	Stainless steel, welded sheet steel	5236B02	0.25
F: flange type	⑦.G1 1/2" Pipe clamp	2	Stainless steel, see P2/7	5136014	0.04
	⑧.Mounting bracket	2	Stainless steel, see P2/7	5136012	0.04
H: fence type	⑦.G1 1/2" Pipe clamp	2	Stainless steel, see P2/7	5136014	0.04
	⑧.Mounting bracket	2	Stainless steel, see P2/7	5136012	0.04
W: bend pole type	⑦.G1 1/2" Pipe clamp	2	Stainless steel, see P2/7	5136014	0.04
	⑧.Mounting bracket	2	Stainless steel, see P2/7	5136012	0.04

**Note:** Accessories not in the table shall be supplied by user.