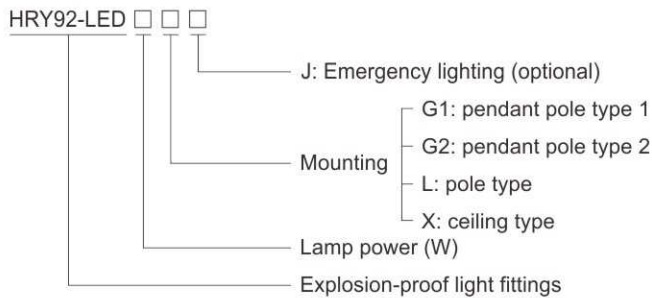


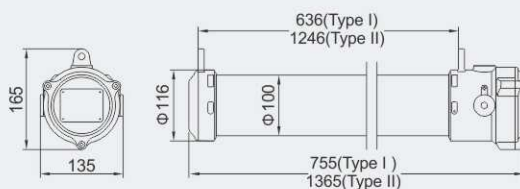


- ◆ Explosion Protection to
  - CENELEC
  - IEC
  - NEC
- ◆ Can be used in
  - Zone 1 and Zone 2
  - Zone 21 and Zone 22
  - Class I, Zone 1 and Zone 2
  - Class I, Division 1, Groups B, C, D
- ◆ Two enclosure types: Type I and Type II
  - Available lamp and power
  - Type I: 20W, 40W
  - Type II: 60W
- ◆ The glass tube stands 4J impact.
- ◆ Enclosure in Copper-free Aluminium Alloy, powder coated surface, yellow (RAL1021).
- ◆ Built-in LED driver, wide voltage input, CC-CV (constant current - constant voltage) output, power factor $\geq$ 0.95.
- ◆ End of lamp life (EOL) rectification effect protection.
- ◆ Emergency functions are available on request.

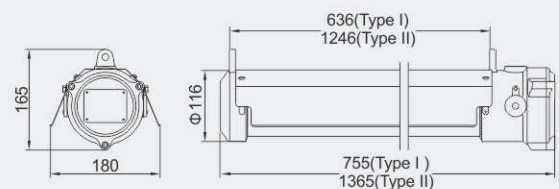
### Catalogue number logic



### Dimension drawings (all dimensions in mm) - subject to alteration



HRY92-LED     
Without external reflector



HRY92-LED     
With external reflector

# Zones 1&2; 21&22

## Light Fittings for Fluorescent Lamp

### HRY92-LED Series Explosion-proof Light Fittings

#### Technical data

#### Explosion-proof light fittings HRY92-LED □□□

<b>Explosion protection</b>	
Global (IECEX)	IECEX (applied for) CQM 24.0040X
Gas and dust	Ex db IIC T6 Gb Ex tb IIIC T80°C Db IP66
Europe (ATEX)	ATEX (applied for)
Gas and dust	⊕ II 2 G Ex db IIC T6 Gb ⊕ II 2 D Ex tb IIIC T80°C Db IP66
<b>Certificates</b>	IECEX; ATEX; CU-TR
<b>Conformity to standards</b>	EN 60079-0, EN 60079-1, EN 60079-31, IEC 60079-0, IEC 60079-1, IEC 60079-31
<b>Material</b>	
Enclosure	Copper-free Aluminium Alloy, powder coated surface, yellow (RAL1021)
Glass tube	Toughened glass, stands 4J impact
LED driver	Wide voltage input, CC-CV (constant current - constant voltage) output, with function of distributed current, constant current, surge-proof and anti-electromagnetic interference, and protection against overcurrent, open circuit, and short circuit.
Wire guard (optional)	Powder coated carbon steel (white) or stainless steel
External reflector (optional)	Powder coated pure aluminium
Exposed fastener	Stainless steel
<b>Lamp</b>	
Lamp specification	LED module (supplied with the light fittings)
Lamp power (W)	20W, 40W, 60W
Colour rendering index (Ra)	≥ 80
LED Colour temperature (CCT)	5000K Note: nature white is available in general. Warm white or cool white is optional, please specify when ordering.
<b>Rated voltage</b>	100-277V AC 50/60Hz
<b>Earthing protection</b>	M5 (internal & external earth bolts)
<b>Degree of protection</b>	IP66
<b>Ambient temperature</b>	-60°C~+55°C
<b>Terminal</b>	3 x 1.5~4mm <sup>2</sup> (L+N+PE)
<b>Cable entries</b>	2 x M25 x 1.5 plugs
<b>Cable gland(optional)</b>	DQM-II (Ex d) or DQM-III (Ex d) is recommended. Please see P7/20~29
<b>Emergency data</b>	
Emergency unit	Special emergency controller and battery pile, with protection against overcharge and overdischarge
Emergency power (W)	20W x 30%, 40W x 30%, 60W x 30%
Emergency starting time	0.3s
Charging time	24h
Emergency lighting time	120min (180min is optional)



#### Selection table

Type / Ordering code	Lamp power(W)	Weight (kg)	Type / Ordering code	Lamp power(W)	Weight (kg)	Type / Ordering code	Lamp power(W)	Weight (kg)
HRY92-LED 20G1	20	5.75	HRY92-LED 40G1	40	5.80	HRY92-LED 60G1	60	8.35
HRY92-LED 20G2	20	6.90	HRY92-LED 40G2	40	6.95	HRY92-LED 60G2	60	9.53
HRY92-LED 20GX	20	5.42	HRY92-LED 40GX	40	5.47	HRY92-LED 60GX	60	8.03
HRY92-LED 20GL	20	5.54	HRY92-LED 40GL	40	5.59	HRY92-LED 60GL	60	8.15
HRY92-LED 20G1J	20	6.55	HRY92-LED 40G1J	40	6.60	HRY92-LED 60G1J	60	9.15
HRY92-LED 20G2J	20	7.70	HRY92-LED 40G2J	40	7.75	HRY92-LED 60G2J	60	10.33
HRY92-LED 20GXJ	20	6.22	HRY92-LED 40GXJ	40	6.27	HRY92-LED 60GXJ	60	8.83
HRY92-LED 20GLJ	20	6.34	HRY92-LED 40GLJ	40	6.39	HRY92-LED 60GLJ	60	8.95

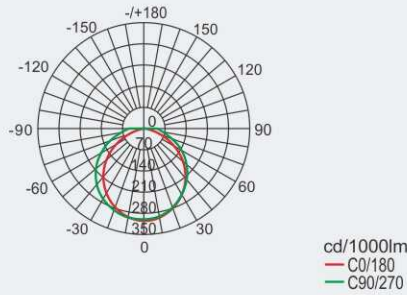
**Note:** 1. Products above include all the mounting accessories listed in Mounting Accessories & Spare Parts Table (see P2/33).  
2. The light fittings are supplied without wire guard and external reflector. Please specify when ordering.

**Photometric data** Note: LED luminous flux is from the standard product of which colour temperature is 5000K

**HRY92-LED 20□□**

Lamp power (W)	Luminous flux	Wattage
LED 20	2100lm	20W

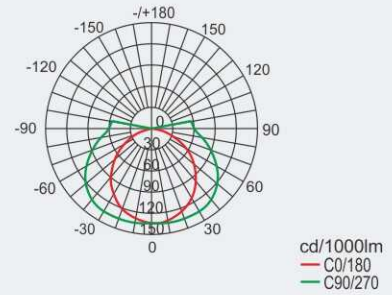
(with external reflector)



**HRY92-LED 20□□**

Lamp power (W)	Luminous flux	Wattage
LED 20	2100lm	20W

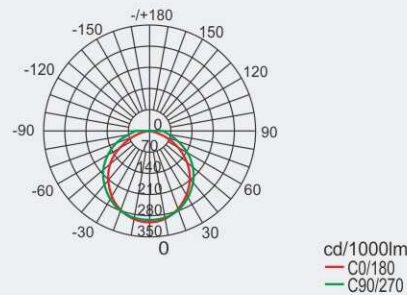
(without external reflector)



**HRY92-LED 40□□**

Lamp power (W)	Luminous flux	Wattage
LED 40	4400lm	40W

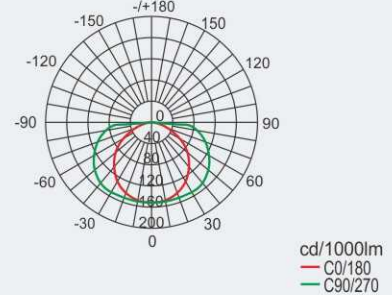
(with external reflector)



**HRY92-LED 40□□**

Lamp power (W)	Luminous flux	Wattage
LED 40	4400lm	40W

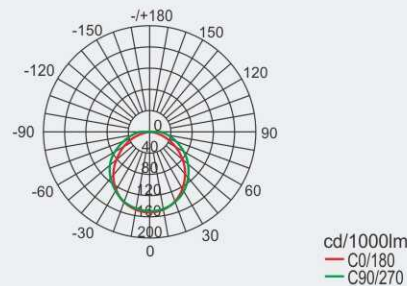
(without external reflector)



**HRY92-LED 60□□**

Lamp power (W)	Luminous flux	Wattage
LED 60	6900lm	60W

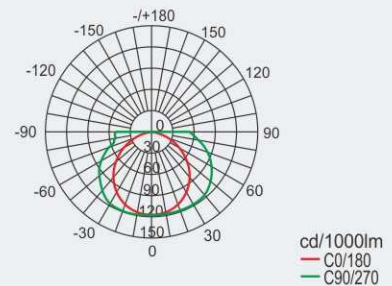
(with external reflector)



**HRY92-LED 60□□**

Lamp power (W)	Luminous flux	Wattage
LED 60	6900lm	60W

(without external reflector)



We can provide lighting design and data by professional lighting software DIALUX based upon simulated site situation on request.

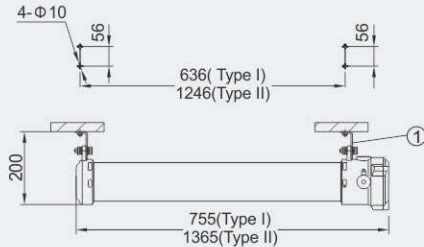


## Light Fittings for Fluorescent Lamp HRY92-LED Series Explosion-proof Light Fittings

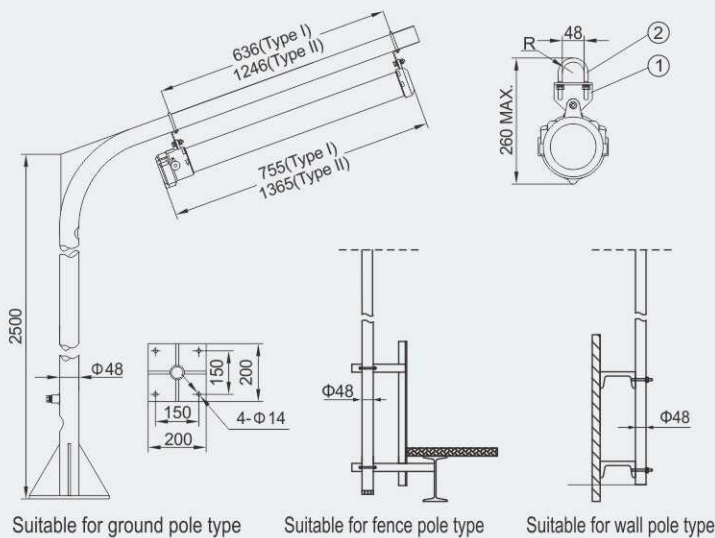
### Mounting type for light fittings with dual lamp tube (all dimensions in mm) - subject to alteration

#### Installation reference

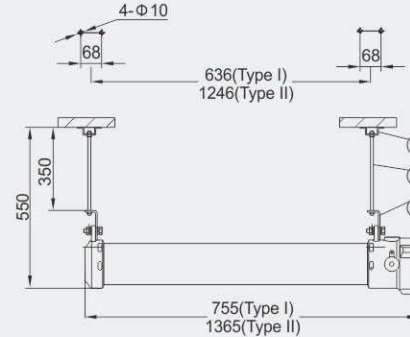
X: ceiling type



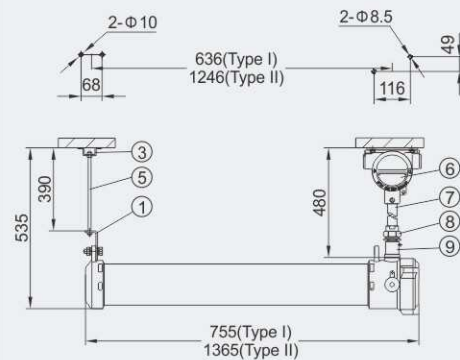
L: pole type (the pole is provided by user)



G1: pendant pole type 1



G2: pendant pole type 2



### Mounting Accessories & Spare Parts Table (light fittings with dual lamp tube)

Supplied according to the mounting type

Mounting type	Accessories			Ordering code	Weight(kg)
	Name	Qty	Illustration		
X: ceiling type	① Mounting plate	2	Stainless steel	51DX01	0.25
L: pole type	① Mounting plate	2	Stainless steel	51DX01	0.25
	② U type pipe clamp	2	Stainless steel	51L01	0.15
G1: pendant pole type 1	① Mounting plate	2	Stainless steel	51DX01	0.25
	③ Mounting bracket	2	Stainless steel	51S01G1	0.04
	④ M8 screw	2	Stainless steel, length: 350mm	51S01G2	0.12
G2: pendant pole type 2	① Mounting plate	2	Stainless steel	51DX01	0.25
	③ Mounting bracket	1	Stainless steel	51S01G1	0.04
	⑤ M8 screw	1	Stainless steel, length: 390mm	51S01G3	0.15
	⑥ BHD51 Explosion-proof junction box	1	Copper-free Aluminium Alloy (Ex d IIC)	BHD51-F	0.80
	⑦ Straight pipe (M25 x 1.5)	1	Length: 300mm	81G01	0.41
	⑧ BGJ-III Explosion-proof connector	1	M25x1.5(F)/M25x1.5(M) Stainless steel	81D03	0.26
	⑨ Explosion-proof connector	1	M25x1.5(F)/M25x1.5(M) Stainless steel	51G201	0.22

**Note:** Accessories not in the table shall be supplied by user.